

# PRODUCT LINE CARD

# JHFOSTER

A Tavoron Company

## AUTOMATION

### Aluminum Framing & Guarding

80/20 Inc - T-slotted aluminum extrusions

### Barcode & RFID

Balluff - LF system; HF system; UHF system; Multi-frequency processors; RFID handhelds

### Cabling, Interfaces & Accessories

Balluff - Adapters; Bulk cables; Bulkheads; Communication adapter; Double-ended cordsets; Field attachables; Junction blocks; Protection for sensors & devices; Receptacles; Reflectors, fibers, optics; Single-ended cordsets; Tees; Terminating resistors; Y-splitters

### Industrial Wireless & Communication

Balluff - IO-Link wireless; I/O modules; Inductive couplers; Network modules; Network switches

### Safety & Indication

80/20 Inc - Machine guarding

Balluff - Safe I/O modules

Emerson |asco - Advanced Redundant Control System (ARCS); Low-temperature valves; Tamper-proof valves

Emerson |Aventics - Pneumatic locking units; Safety valves

IMI Bimba - Lockout-tagout valves; Pneumatic isolation valves

ZSi-Foster - Blow guns; Quick couplers

### Sensors

Balluff - Capacitive sensors; Condition monitoring sensors; Encoders; Flow sensors; Inductive sensors; Photoelectric sensors; Position indicators; Pressure sensors; Temperature sensors; Ultrasonic sensors

## Motion Control

### Electric Actuators

Emerson |Aventics - Rod style actuators

IMI Norgren - Compact actuators; Guided thrusters; Rack & pinion; Rod style actuators; Rodless actuators

Oriental Motor - Compact actuators; Hollow rotary actuators; Linear slides; Rack & pinion; Rod style actuators

### Gearboxes

STOBER - Servo gearboxes

### Motors & Drives

Oriental Motor - AC geared motors; Brushless DC motors; Servo motors; Stepper motors

STOBER - Geared motors; Rack & pinion drives; Synchronous servo motors

### Collaborative Robots

Techman Robot - AI cobot (TM5 - TM20); TM S series

### Industrial Robots

Kawasaki - 4-axis robot; 6-axis robot; Arc welding robot; Dual arm scara robot; Medical & pharmaceutical robot

Staubli - 4-axis robot; 6-axis robot; Cleanroom robot; Humid environment robot; Stericlean robot

### Robotics Accessories

80/20 Inc - Custom bases; Guarding; Mobile workstations

Destaco - End-of-Arm tooling; Grippers; Tool changers

IMI Bimba - End-of-Arm tooling

Oriental Motor - Grippers

Techman Robot - Camera mount kit; Polarizer light module

# AUTOMATION

## Pneumatic

### Actuators

**Advance Automation Company** - NFPA actuators; Round actuators; Standard ISO actuators

**Destaco** - Rotary actuators

**Emerson | Aventics** - Bellow actuators; Compact actuators; Double piston cylinders; Grippers; Guided thruster; NFPA actuators; Rodless actuators; Rod-style actuators; Rotary actuators; Round actuators; Standard ISO actuators

**IMI Bimba** - Compact actuators; Guided thruster; NFPA actuators; Rodless actuators; Rotary actuators; Round actuators

### Air Preparation

**Emerson | Asco** - F/R/L units; Filters; Lubricators; Regulators

**Emerson | Aventics** - F/R/L units; Filters; Flow sensors; Lubricators; Regulators

**IMI Bimba** - Combination F/R units; Filters; Lubricators; Regulators

**IMI Norgren** - Filters; Regulators; Lubricators; Combination F/R units

### Fittings, Tubing & Accessories

**Ace Controls** - Gas springs; Rotary Dampers; Shock absorbers

**Destaco** - Manual & pneumatic clamps

**Emerson | Asco** - Accessory valves; Controllers & sequencers; Nickel plated brass fittings; Pneumatic connection technologies; Pressure gauges; Push-in tube fittings

**Emerson | Aventics** - Electrical connection technologies; Fieldbus & I/O technology; Metric tubing; Nickel plated brass push-in fittings; Pneumatic connection technologies; Polymer push-in fittings; Pressure gauges; Tubing accessories

**Freelin Wade** - Blow guns; Nylon tubing; Polyethylene tubing; Polyurethane tubing; PVC tubing; Recoil assemblies and fittings

**IMI Bimba** - Alignment couplers; Barbed fittings; Brass fittings; Electroless nickel fittings; Mounting blocks & brackets; Shock absorbers; Soft start valves; Stainless steel fittings; Threaded fittings

**Pisco** - Ball valves; Push-in tube fittings; Rotary joints

**ZSi-Foster** - Blow guns; Cushioned clamps; Quick disconnect fittings; Recoil hoses

### Sensors & Switches

**Emerson | Asco** - Pressure switches; Valve indication

**Emerson | Aventics** - Distance measuring sensors; Flow sensors; Pressure switches; Proximity sensors

**IMI Bimba** - Pressure & vacuum switches; Proximity switches; Reed switches; Solid state switches

### Vacuum Cups & Generators

**Emerson | Asco** - Sensors; Vacuum cups; Vacuum generators

**Emerson | Aventics** - Non-contact transfer units; Sensors; Vacuum cups; Vacuum generators

**IMI Bimba** - Air amplifiers; Vacuum cups; Vacuum generators

**Pisco** - Sensors; Vacuum cups; Vacuum generators

### Valves

**AAA Products** - Manual valves; Mechanical valves; Solenoid valves; Specialty application valves

**Emerson | Asco** - Diaphragm valves; Mini valves; Pinch valves; Poppet valves; Solenoid valves

**Emerson | Aventics** - Custom valve assemblies; Directional control valves; Fieldbus & I/O communication; Proportional valves; Safety valves; Solenoid valves

**Humphrey** - Manual valves; Mechanical valves; Mini valves; Proportional valves; Quick exhaust valves; Solenoid valves

**IMI Bimba** - Custom valve assemblies; Directional control valves; Flow control valves; Manual valves; Solenoid valves; Specialty application valves



# COMPRESSED AIR

## Air Compressors

### Oil-Lubricated Compressors

**Gardner Denver** - Reciprocating; Rotary screw

**Gardner Denver | Hydrovane** - Rotary vane

**Quincy Compressor** - Reciprocating; Rotary screw

### Oil-Free and Oil-Less Compressors

**Gardner Denver** - Reciprocating; Rotary screw; Scroll; Water-sealed

**POWEREX** - Reciprocating; Scroll

**Quincy Compressor** - Scroll

**Rogers Machinery Co** - Rotary screw

**Thomas** - Piston; Rotary vane

### Climate Controlled Compressors

**Gardner Denver** - Reciprocating

**POWEREX** - Reciprocating

**Quincy Compressor** - Reciprocating

### Medical & Vacuum Packages

**Dekker Vacuum Technologies** - Rotary vane

**Gardner Denver** - Scroll

**POWEREX** - Piston; Rotary screw; Rotary tooth; Scroll

**Rogers Machinery Co** - Rotary screw

### Dryers

**Gardner Denver** - Cycling refrigerated; Digital scroll refrigerated; Non-cycling refrigerated

**nano-purification solutions** - Blower purge desiccant; Cycling refrigerated; Externally heated purge desiccant; Heatless purge desiccant; Membrane; Non-cycling refrigerated; VSD refrigerated

**Parker** - Blower purge desiccant; Cycling refrigerated; Externally heated purge desiccant; Heatless purge desiccant; Non-cycling refrigerated

**Quincy Compressor** - Cycling refrigerated; Non-cycling refrigerated

**ZEKS** - Blower purge desiccant; Cycling refrigerated; Externally heated purge desiccant; Heatless purge desiccant; Non-cycling refrigerated

### Filters

**Gardner Denver** - Activated carbon/vapor; Coalescing; Mist eliminator; Particulate

**nano-purification solutions** - Activated carbon/vapor; Coalescing; Mist eliminator; Particulate

**Parker** - Activated carbon/vapor; Coalescing; Mist eliminator; Particulate

**ZEKS** - Activated carbon/vapor; Coalescing; Mist eliminator; Particulate

### Fluid Cooling Systems

**nano-purification solutions** - Process chillers

**Parker** - Process chillers

**Thermotech | Thermal Precision** - Aftercoolers; Dry coolers; Oil coolers

### Nitrogen Generation

**nano-purification solutions** - Membrane; PSA

**Parker** - PSA

### Plant Air Piping

**AIRpipe** - Aluminum; Stainless steel

**Parker | Transair** - Aluminum; Stainless steel

**Quincy Compressor | AIRnet** - Aluminum; Stainless steel

### Vacuum Pumps

**Dekker Vacuum Technologies** - Liquid ring; Rotary vane

**Quincy Compressor** - Dry claw; Rotary screw; Rotary vane

**Thomas** - Articulating piston; Diaphragm; Linear; Rotary vane

### Accessories

**Control Devices** - Drain-All condensate drains; WaterHog condensate drains

**nano-purification solutions** - Breathing air systems; Oil/Water separators

**Parker** - Breathing air systems; Oil/Water separators

**Quincy Compressor** - Pressure flow controllers

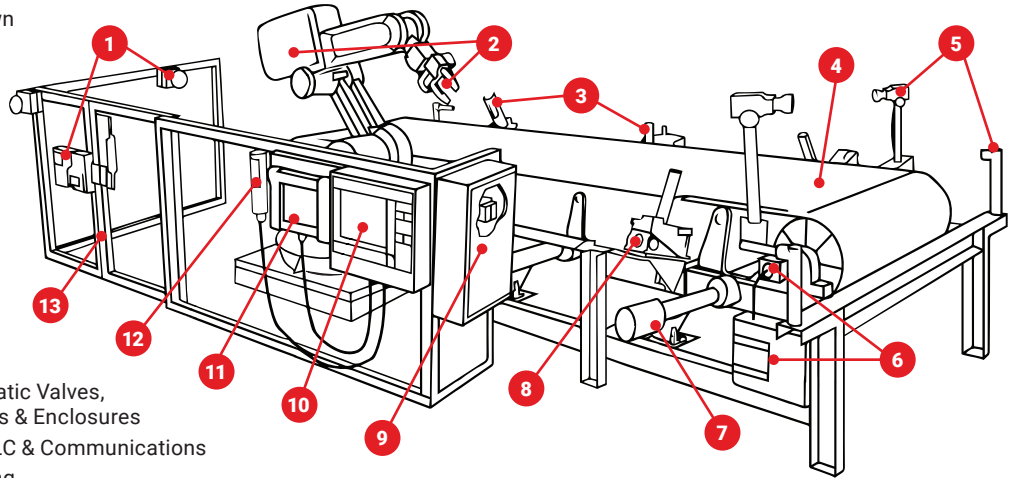
**Samuel Pressure Vessel** - Air tanks

**ZEKS** - Oil/Water separators; Pressure flow controllers

# MAKING THE COMPLEX SIMPLE

JHFOSTER distributes these products shown as well as evaluates, designs, engineers, integrates and services the entire system.

1. Safety Interlocks & E-Stop Switches
2. Robots, Cobots & End-of-Arm Tooling
3. Inductive, Photoelectric & Ultrasonic Sensors
4. Conveyors
5. Machine Vision, Lighting & RFID Sensors
6. Servo Drives
7. Motors & Gearboxes
8. Limit Switches
9. Light Curtains
10. Robot Controls
11. Pneumatic Valves, Controls & Enclosures
12. HMI, PLC & Communications
13. Guarding



## All Suppliers

80/20 INC	CURTISS WRIGHT (EXLAR)	KÄRCHER	RIETSCHLE
AAA PRODUCTS	DEKKER VACUUM TECHNOLOGIES	KAWASAKI ROBOTICS	ROBOTIQ
ACE CONTROLS	DESTACO	KOGANEI	ROGERS MACHINERY CO
ADVANCE AUTOMATION COMPANY	DORNER	MANCHESTER TANK & EQUIPMENT	ROSS CONTROLS
AERZEN	DWYER INSTRUMENTS	MARSH BELLOFRAM	SAMUEL PRESSURE VESSEL GROUP
AIR-MITE DEVICES	EDCO USA	MENCOM CORPORATION	SANKYO AUTOMATION
AIRPIPE	ELLIS KUHNKE AUTOMATION	MIDLAND METAL MANUFACTURING	SAUER COMPRESSORS USA
AIRTX INTERNATIONAL	EMERSON   ASCO	MIDWEST CONTROL	SOLBERG
ALADCO	EMERSON   AVENTICS	MIDWEST PRESSURE SYSTEMS	STÄUBLI
ALUMI-TEC INCORPORATED	FREELIN WADE	MURRPLASTIK SYSTEMS	STOBER
AMERICAN INDUSTRIAL HEAT TRANSFER	FS-ELLIOT	NANO-PURIFICATION SOLUTIONS	TECHMAN ROBOT
ARROW PNEUMATICS	GARDNER DENVER	NGT SPECIALTY VALVES	THE SPECIALTY MFG CO
BALLUFF	GARDNER DENVER (COMPAIR)	NIDEC-SHIMPO	THERMAL PRECISION
BEACH FILTER PRODUCTS	GENERANT	NOPAK	THERMAL TRANSFER
BEKO CONDENSATE SYSTEMS	GENERON	NOREN THERMAL SOLUTIONS	THOMAS
BUCHER HYDRAULICS   DYNA-LIFT	HANNAY REELS	ONROBOT	TOLOMATIC
CANFIELD CONNECTOR	HEIDENHAIN	ORIENTAL MOTOR	TRIDENT
CARLO GAVAZZI	HUMPHREY PRODUCTS	PARKER HANNIFIN	VIBCO
CDI METERS	HYCOMP	PISCO	VI-CAS MANUFACTURING
CLEAN RESOURCES LLC	HYDROVANE	POLYCONN DIVISION	WIELAND ELECTRIC
CONTROL DEVICES	IAI - INTELLIGENT ACTUATOR	PORE TECHNOLOGY LIMITED	WIKA
CONTROL LINE EQUIPMENT	IFM EFECTOR	POWEREX	ZEKS
CONVEYOR TECHNOLOGIES	IMI BIMBA	QUINCY COMPRESSOR	ZERO-MAX
COVAL VACUUM TECHNOLOGY	IMI NORGREN	R+W COUPLING TECHNOLOGY	ZSI-FOSTER
	JVL	REELCRAFT	

**JHFOSTER**  
A Tavoron Company

3103 Mike Collins Drive, Eagan, MN 55121  
solutions@jhfooster.com | 800.582.5162  
jhfooster.com