



# PRODUCT LINE CARD

# JHFOSTER

A Tavoron Company

## AUTOMATION

### Aluminum Framing & Guarding

80/20 Inc - T-slotted aluminum extrusions

### Barcode & RFID

Balluff - LF system; HF system; UHF system; Multi-frequency processors; RFID handhelds

### Cabling, Interfaces & Accessories

Balluff - Adapters; Bulk cables; Bulkheads; Communication adapter; Double-ended cordsets; Field attachables; Junction blocks; Protection for sensors & devices; Receptacles; Reflectors, fibers, optics; Single-ended cordsets; Tees; Terminating resistors; Y-splitters

### Industrial Wireless & Communication

Balluff - IO-Link wireless; I/O modules; Inductive couplers; Network modules; Network switches

### Safety & Indication

80/20 Inc - Machine guarding

Balluff - Safe I/O modules

Emerson |asco - Advanced Redundant Control System (ARCS); Low-temperature valves; Tamper-proof valves

Emerson |Aventics - Pneumatic locking units; Safety valves

IMI Bimba - Lockout-tagout valves; Pneumatic isolation valves

ZSi-Foster - Blow guns; Quick couplers

### Sensors

Balluff - Capacitive sensors; Condition monitoring sensors; Encoders; Flow sensors; Inductive sensors; Photoelectric sensors; Position indicators; Pressure sensors; Temperature sensors; Ultrasonic sensors

## Motion Control

### Electric Actuators

Emerson |Aventics - Rod style actuators

IMI Norgren - Compact actuators; Guided thrusters; Rack & pinion; Rod style actuators; Rodless actuators

Oriental Motor - Compact actuators; Hollow rotary actuators; Linear slides; Rack & pinion; Rod style actuators

### Gearboxes

STOBER - Servo gearboxes

### Motors & Drives

Oriental Motor - AC geared motors; Brushless DC motors; Servo motors; Stepper motors

STOBER - Geared motors; Rack & pinion drives; Synchronous servo motors

### Collaborative Robots

Techman Robot - AI cobot (TM5 - TM20); TM S series

### Industrial Robots

Kawasaki - 4-axis robot; 6-axis robot; Arc welding robot; Dual arm scara robot; Medical & pharmaceutical robot

Staubli - 4-axis robot; 6-axis robot; Cleanroom robot; Humid environment robot; Stericlean robot

### Robotics Accessories

80/20 Inc - Custom bases; Guarding; Mobile workstations

Destaco - End-of-Arm tooling; Grippers; Tool changers

IMI Bimba - End-of-Arm tooling

Oriental Motor - Grippers

Techman Robot - Camera mount kit; Polarizer light module

# AUTOMATION

## Pneumatic

### Actuators

**Advance Automation Company** - NFPA actuators; Round actuators; Standard ISO actuators

**Destaco** - Rotary actuators

**Emerson | Aventics** - Bellow actuators; Compact actuators; Double piston cylinders; Grippers; Guided thruster; NFPA actuators; Rodless actuators; Rod-style actuators; Rotary actuators; Round actuators; Standard ISO actuators

**IMI Bimba** - Compact actuators; Guided thruster; NFPA actuators; Rodless actuators; Rotary actuators; Round actuators

### Air Preparation

**Emerson | Asco** - F/R/L units; Filters; Lubricators; Regulators

**Emerson | Aventics** - F/R/L units; Filters; Flow sensors; Lubricators; Regulators

**IMI Bimba** - Combination F/R units; Filters; Lubricators; Regulators

**IMI Norgren** - Filters; Regulators; Lubricators; Combination F/R units

### Fittings, Tubing & Accessories

**Ace Controls** - Gas springs; Rotary Dampers; Shock absorbers

**Destaco** - Manual & pneumatic clamps

**Emerson | Asco** - Accessory valves; Controllers & sequencers; Nickel plated brass fittings; Pneumatic connection technologies; Pressure gauges; Push-in tube fittings

**Emerson | Aventics** - Electrical connection technologies; Fieldbus & I/O technology; Metric tubing; Nickel plated brass push-in fittings; Pneumatic connection technologies; Polymer push-in fittings; Pressure gauges; Tubing accessories

**Freelin Wade** - Blow guns; Nylon tubing; Polyethylene tubing; Polyurethane tubing; PVC tubing; Recoil assemblies and fittings

**IMI Bimba** - Alignment couplers; Barbed fittings; Brass fittings; Electroless nickel fittings; Mounting blocks & brackets; Shock absorbers; Soft start valves; Stainless steel fittings; Threaded fittings

**Pisco** - Ball valves; Push-in tube fittings; Rotary joints

**ZSi-Foster** - Blow guns; Cushioned clamps; Quick disconnect fittings; Recoil hoses

### Sensors & Switches

**Emerson | Asco** - Pressure switches; Valve indication

**Emerson | Aventics** - Distance measuring sensors; Flow sensors; Pressure switches; Proximity sensors

**IMI Bimba** - IntelliSense®; Pressure & vacuum switches; Proximity switches; Reed switches; Solid state switches

### Vacuum Cups & Generators

**Emerson | Asco** - Sensors; Vacuum cups; Vacuum generators

**Emerson | Aventics** - Non-contact transfer units; Sensors; Vacuum cups; Vacuum generators

**IMI Bimba** - Air amplifiers; Vacuum cups; Vacuum generators

**Pisco** - Sensors; Vacuum cups; Vacuum generators

### Valves

**AAA Products** - Manual valves; Mechanical valves; Solenoid valves; Specialty application valves

**Emerson | Asco** - Diaphragm valves; Mini valves; Pinch valves; Poppet valves; Solenoid valves

**Emerson | Aventics** - Custom valve assemblies; Directional control valves; Fieldbus & I/O communication; Proportional valves; Safety valves; Solenoid valves

**Humphrey** - Manual valves; Mechanical valves; Mini valves; Proportional valves; Quick exhaust valves; Solenoid valves

**IMI Bimba** - Custom valve assemblies; Directional control valves; Flow control valves; Manual valves; Solenoid valves; Specialty application valves



# COMPRESSED AIR

## Air Compressors

### Oil-Lubricated Compressors

Gardner Denver - Reciprocating; Rotary screw  
Gardner Denver | Hydrovane - Rotary vane  
Quincy Compressor - Reciprocating; Rotary screw

### Oil-Free and Oil-Less Compressors

Gardner Denver - Reciprocating; Rotary screw; Scroll;  
Water-sealed  
POWEREX - Reciprocating; Scroll  
Quincy Compressor - Scroll  
Rogers Machinery Co - Rotary screw  
Thomas - Piston; Rotary vane

### Climate Controlled Compressors

Gardner Denver - Reciprocating  
POWEREX - Reciprocating  
Quincy Compressor - Reciprocating

### Medical & Vacuum Packages

Dekker Vacuum Technologies - Rotary vane  
Gardner Denver - Scroll  
POWEREX - Piston; Rotary screw; Rotary tooth; Scroll  
Rogers Machinery Co - Rotary screw

### Dryers

Gardner Denver - Cycling refrigerated; Digital scroll refrigerated; Non-cycling refrigerated  
nano-purification solutions - Blower purge desiccant; Cycling refrigerated; Externally heated purge desiccant; Heatless purge desiccant; Membrane; Non-cycling refrigerated; VSD refrigerated  
Parker - Blower purge desiccant; Cycling refrigerated; Externally heated purge desiccant; Heatless purge desiccant; Non-cycling refrigerated  
Quincy Compressor - Cycling refrigerated; Non-cycling refrigerated  
ZEKS - Blower purge desiccant; Cycling refrigerated; Externally heated purge desiccant; Heatless purge desiccant; Non-cycling refrigerated

### Filters

Gardner Denver - Activated carbon/vapor; Coalescing; Mist eliminator; Particulate  
nano-purification solutions - Activated carbon/vapor; Coalescing; Mist eliminator; Particulate  
Parker - Activated carbon/vapor; Coalescing; Mist eliminator; Particulate  
ZEKS - Activated carbon/vapor; Coalescing; Mist eliminator; Particulate

### Fluid Cooling Systems

nano-purification solutions - Process chillers  
Parker - Process chillers  
Thermotech | Thermal Precision - Aftercoolers; Dry coolers; Oil coolers

### Nitrogen Generation

nano-purification solutions - Membrane; PSA  
Parker - PSA

### Plant Air Piping

AIRpipe - Aluminum; Stainless steel  
Parker | Transair - Aluminum; Stainless steel  
Quincy Compressor | AIRnet - Aluminum; Stainless steel

### Vacuum Pumps

Dekker Vacuum Technologies - Liquid ring; Rotary vane  
Quincy Compressor - Dry claw; Rotary screw; Rotary vane  
Thomas - Articulating piston; Diaphragm; Linear; Rotary vane

### Accessories

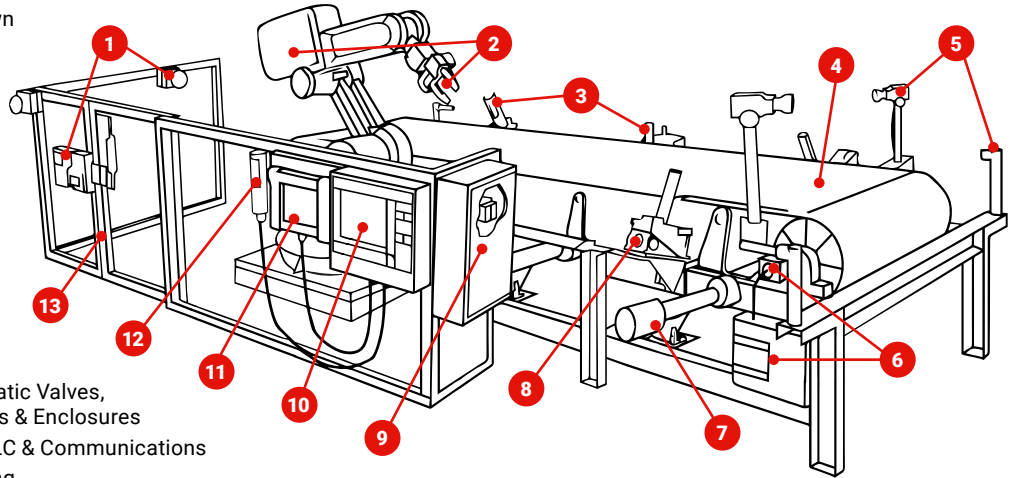
Control Devices - Drain-All condensate drains; WaterHog condensate drains  
nano-purification solutions - Breathing air systems; Oil/Water separators  
Parker - Breathing air systems; Oil/Water separators  
Quincy Compressor - Pressure flow controllers  
Samuel Pressure Vessel - Air tanks  
ZEKS - Oil/Water separators; Pressure flow controllers

. . . . .  
. . . . .  
. . . . .  
. . . . .  
. . . . .  
. . . . .

# MAKING THE COMPLEX SIMPLE

JHFOSTER distributes these products shown as well as evaluates, designs, engineers, integrates and services the entire system.

1. Safety Interlocks & E-Stop Switches
2. Robots, Cobots & End-of-Arm Tooling
3. Inductive, Photoelectric & Ultrasonic Sensors
4. Conveyors
5. Machine Vision, Lighting & RFID Sensors
6. Servo Drives
7. Motors & Gearboxes
8. Limit Switches
9. Light Curtains
10. Robot Controls
11. Pneumatic Valves, Controls & Enclosures
12. HMI, PLC & Communications
13. Guarding



## All Suppliers

80/20 INC	CURTISS WRIGHT (EXLAR)	KOGANEI	ROGERS MACHINERY CO
AAA PRODUCTS	DEKKER VACUUM TECHNOLOGIES	MANCHESTER TANK & EQUIPMENT	ROSS CONTROLS
ACE CONTROLS	DESTACO	MARSH BELLOFRAM	SAMUEL PRESSURE VESSEL GROUP
ADVANCE AUTOMATION COMPANY	DORNER	MENCOM CORPORATION	SANKYO AUTOMATION
AERZEN	DWYER INSTRUMENTS	MIDLAND METAL MANUFACTURING	SAUER COMPRESSORS USA
AIR-MITE DEVICES	EDCO USA	MIDWEST CONTROL	SOLBERG
AIRPIPE	ELLIS KUHNKE AUTOMATION	MIDWEST PRESSURE SYSTEMS	STÄUBLI
AIRTX INTERNATIONAL	EMERSON   ASCO	MURRPLASTIK SYSTEMS	STOBER
ALADCO	EMERSON   AVENTICS	NANO-PURIFICATION SOLUTIONS	SWIVELLINK
ALUMI-TEC INCORPORATED	FREELIN WADE	NGT SPECIALTY VALVES	TECHMAN ROBOT
AMERICAN INDUSTRIAL HEAT TRANSFER	GARDNER DENVER	NIDEC-SHIMPO	THE SPECIALTY MFG CO
ARROW PNEUMATICS	GARDNER DENVER (COMPAIR)	NOPAK	THERMAL PRECISION
BALLUFF	GENERANT	NOREN THERMAL SOLUTIONS	THERMAL TRANSFER
BEACH FILTER PRODUCTS	GENERON	ONROBOT	THOMAS
BEKO CONDENSATE SYSTEMS	HANNAY REELS	ORIENTAL MOTOR	TOLOMATIC
BUCHER HYDRAULICS   DYNA-LIFT	HEIDENHAIN	PARKER HANNIFIN	TRIDENT
CANFIELD CONNECTOR	HUMPHREY PRODUCTS	PISCO	VIBCO
CARLO GAVAZZI	HYCOMP	POLYCONN DIVISION	VI-CAS MANUFACTURING
CDI METERS	HYDROVANE	PORE TECHNOLOGY LIMITED	WIELAND ELECTRIC
CLEAN RESOURCES LLC	IAI - INTELLIGENT ACTUATOR	POWEREX	WIKA
CONTROL DEVICES	IFM EFECTOR	QUINCY COMPRESSOR	ZEKS
CONTROL LINE EQUIPMENT	IMI BIMBA	R+W COUPLING TECHNOLOGY	ZERO-MAX
CONVEYOR TECHNOLOGIES	IMI NORGREN	REELCRAFT	ZSI-FOSTER
COVAL VACUUM TECHNOLOGY	JVL	RIETSCHE	
	KAWASAKI ROBOTICS	ROBOTIQ	

**JHFOSTER**  
A Tavoron Company

3103 Mike Collins Drive, Eagan, MN 55121  
solutions@jhfooster.com | 800.582.5162  
jhfooster.com