



PRODUCT LINE CARD

JHFOSTER

REDEFINING THE POSSIBILITIES
OF AUTOMATION

AUTOMATION

Electric Actuators*

Bimba | Norgren - Compact actuators; Guided thrusters; Rack & pinion; Rodless actuators; Rod style actuators

Emerson | Aventics - Rod style actuators

IAI - Cleanroom actuators; Linear slides; Radial cylinders; Rod style actuators; Splash-proof/dust-proof actuators

Oriental Motor - Compact actuators; Hollow rotary actuators; Linear slides; Rack & pinion; Rod style actuators

***Accu Tech USA** - Custom engineered solutions; Various electric actuators from additional suppliers

Electric Motion

Nidec-Shimpo - Heavy industrial gearboxes; High precision gearboxes; Rack & pinion drives

Oriental Motor - AC geared motors; Brushless DC motors; Servo motors; Stepper motors

Sankyo Automation - Fixed-stop cam indexers; Servo indexers & positioners

STOBER - Geared motors; Rack & pinion drives; Servo gearboxes; Synchronous servo motors

Guarding

80/20 Inc - T-slotted aluminum extrusions

Hydraulic

Ace Controls - Dampers; Feed Controls; Shock absorbers;

Bimba - Compact cylinders; Heavy duty industrial cylinders; NFPA cylinders; Medium duty cylinders

Emerson | Aventics - Heavy duty industrial cylinders; NFPA cylinders; Medium duty cylinders; High pressure cylinders

WIKA - Hydraulic gauges

ZSi-Foster - Quick disconnect couplers

* Benefit from expanded supplier relationships through our JHFOSTER companies

Pneumatic

Air Preparation

Bimba - Filters; Regulators; Lubricators; Combination F/R units

Emerson | Asco - Filters; Regulators; Lubricators; F/R/L units

Emerson | Aventics - Filters; Regulators; Lubricators; F/R/L units; Flow sensors

Generant - Regulators

Actuators

Advance Automation Company - NFPA actuators; Round actuators; Standard ISO actuators

Bimba - Compact actuators; Guided thruster; NFPA actuators; Rodless actuators; Rotary actuators; Round actuators; Standard ISO actuators

Destaco - Rotary actuators

Emerson | Aventics - Bellow actuators; Compact actuators; Double piston cylinders; Grippers; Guided thruster; NFPA actuators; Rod-style actuators; Rodless actuators; Rotary actuators; Round actuators; Standard ISO actuators

Fittings, Couplers, Hoses, Tubing

Bimba - Barbed fittings; Brass fittings; Electroless nickel fittings; Stainless steel fittings; Threaded fittings

Emerson | Asco - Nickel plated brass fittings; Push-in tube fittings; World thread fittings

Emerson | Aventics - Metric tubing; Nickel plated brass push-in fittings; Polymer push-in fittings; Tubing accessories

Freelin Wade - Blow guns; Nylon tubing; PVC tubing; Recoil assemblies and fittings; Polyethylene tubing; Polyurethane tubing

Midland Metal - Ball valves; Brass fittings; Buchanan hose; Gate valves; Hose accessories; Plastic fittings; Stainless steel fittings

Pisco - Ball valves; Push-in tube fittings; Rotary joints;

Polyconn - Barbed fittings; Composite push to connect fittings; Nickel-plated brass push to connect fittings; Nylon fittings; Polypropylene fittings; Stainless steel push to connect fittings

ZSi-Foster - Blow guns; Quick disconnect fittings; Recoil hoses

AUTOMATION

Pneumatic

Sensors & Switches

Bimba - Reed switches; Solid state switches; Pressure & vacuum switches; IntelliSense®; Proximity switches

Emerson | Asco - Pressure switches; Valve indication

Emerson | Aventics - Distance measuring sensors; Pressure switches; Flow sensors; Proximity sensors

Ross Controls - Pressure switches

WIKA - Air flow sensors; Pressure sensors; Pressure switches; Pressure transmitters; Temperature switches

Vacuum Cups & Generators

Bimba - Air amplifiers; Vacuum cups; Vacuum generators

Emerson | Asco - Sensors; Vacuum cups; Vacuum generators

Emerson | Aventics - Non-contact transfer units; Vacuum cups; Sensors; Vacuum generators

Pisco - Sensors; Vacuum cups; Vacuum generators

Valves

AAA Products - Manual valves; Mechanical valves; Solenoid valves; Specialty application valves

Bimba - Custom valve assemblies; Directional control valves; Flow control valves; Manual valves; Solenoid valves; Specialty application valves

Emerson | Asco - Diaphragm valves; Mini valves; Poppet valves; Pinch valves; Solenoid valves

Emerson | Aventics - Custom valve assemblies; Directional control valves; Fieldbus & I/O communication; Proportional valves; Solenoid valves; Safety valves

Humphrey - Manual valves; Mechanical valves; Mini valves; Proportional valves; Quick exhaust valves; Solenoid valves

Ross Controls - Directional control valves; Flow control valves; Manual valves; Mechanical valves; Mini valves; Poppet valves; Proportional valves; Quick exhaust valves

Additional Pneumatic Products

Ace Controls - Gas springs; Rotary Dampers; Shock absorbers

Bimba - Alignment couplers; Mounting blocks & brackets; Relief valves; Shock absorbers; Soft start valves

Destaco - Manual & pneumatic clamps

Emerson | Asco - Accessory valves; Controllers & sequencers; Pressure gauges; Silencers & mufflers; Solenoid operators; Pneumatic connection technologies

Emerson | Aventics - Electrical connection technologies; Fieldbus & I/O technology; Pressure gauges; Pneumatic connection technologies; Silencers & mufflers

Generant - Check valves; Needle valves; Relief valves

WIKA - Diaphragm seals; Pressure gauges

ZSi-Foster - Cushioned clamps; Support Systems

Safety*

80/20 Inc - Machine guarding

Bimba - Lockout-tagout valves; Pneumatic isolation valves

Carlo Gavazzi - Electromagnetic interlock; Limit switches; Safety modules; Safety magnetic sensors

Emerson | ASCO - Advanced Redundant Control System (ARCS); Low-temperature valves; Tamper-proof valves

Emerson | Aventics - Pneumatic locking units; Safety valves

Ross Controls - Lockout-tagout valves; Valves for external monitoring; Valves with internal monitoring

ZSi-Foster - Blow guns; Quick couplers

***Sensors Incorporated** - Various products from additional suppliers

Sensors & Machine Vision*

Carlo Gavazzi - Capacitive sensors; Inductive sensors; Level sensors; Magnetic sensors; Photoelectric sensors; Ultrasonic sensors

***Sensors Incorporated** - Various sensors & machine vision products from additional suppliers

Additional Electric Automation Products*

Carlo Gavazzi - Communication & control; Current transformers; Frequency drives; Monitoring relays; Soft starters; Solid state relays

Mencom - Industrial ethernet; Industrial network connectivity; Molded cables & receptacles; Panel interface connectors

***Accu Tech USA** - Various products from additional suppliers

***Sensors Incorporated** - Various products from additional suppliers

Collaborative Robots*

Techman Robot - AI cobot (TM5 - TM20); TM S series

***Automation & Robotics Solutions** - FANUC CRX series

***DevLinks** - FANUC CRX series

Industrial Robots*

IAI - Scara robot; Table top robot

Kawasaki - 4-axis robot; 6-axis robot; Arc welding robot; Dual arm scara robot; Medical & pharmaceutical robot

Staubli - 4-axis robot; 6-axis robot; Cleanroom robot; Stericlean robot; Humid environment robot

***Automation & Robotics Solutions** - Robots from FANUC

***DevLinks** - Robots from FANUC

Robotics Accessories

80/20 Inc - Custom bases; Guarding; Mobile workstations

Bimba - End-of-arm tooling

Destaco - End-of-arm tooling; Grippers; Tool changers

Oriental Motors - Grippers

Techman Robot - Camera mount kit; Polarizer light module

COMPRESSED AIR

Air Compressors

Oil-Lubricated Compressors

Gardner Denver - Reciprocating; Rotary screw

Gardner Denver | Hydrovane - Rotary vane

Quincy Compressors - Reciprocating; Rotary screw

Oil-Free and Oil-Less Compressors

Gardner Denver - Reciprocating; Rotary screw; Scroll; Water-sealed

Rogers Machinery Co - Rotary screw

Thomas - Piston; Rotary vane

POWEREX - Reciprocating; Scroll

Quincy Compressor - Scroll

Climate Controlled Compressors

Gardner Denver - Reciprocating

POWEREX - Reciprocating

Quincy Compressor - Reciprocating

Medical & Vacuum Packages

Dekker Vacuum Technologies - Rotary vane

Gardner Denver - Scroll

POWEREX - Piston; Rotary screw; Rotary tooth; Scroll

Rogers Machinery Co - Rotary screw

Dryers

Gardner Denver - Cycling refrigerated; Digital scroll refrigerated; Non-cycling refrigerated;

nano-purification solutions - Blower purge desiccant; Cycling refrigerated; Externally heated purge desiccant; Heatless purge desiccant; Membrane; Non-cycling refrigerated; VSD refrigerated;

Parker - Blower purge desiccant; Cycling refrigerated; Externally heated purge desiccant; Heatless purge desiccant; Non-cycling refrigerated;

Quincy Compressor - Cycling refrigerated; Non-cycling refrigerated;

ZEKS - Blower purge desiccant; Cycling refrigerated; Externally heated purge desiccant; Heatless purge desiccant; Non-cycling refrigerated;

Filters

Gardner Denver - Activated carbon/vapor; Coalescing; Mist eliminator; Particulate;

nano-purification solutions - Activated carbon/vapor; Coalescing; Mist eliminator; Particulate;

Parker - Activated carbon/vapor; Coalescing; Mist eliminator; Particulate;

Solberg - Inlet; Silencers;

ZEKS - Activated carbon/vapor; Coalescing; Mist eliminator; Particulate;

Fluid Cooling Systems

nano-purification solutions - Process chillers

Parker - Process chillers

Thermotech | Thermal Precision - Dry coolers

Thermotech | Thermal Transfer - Oil coolers; Aftercoolers

Nitrogen Generation

nano-purification solutions - Membrane; PSA

Parker - PSA

Plant Air Piping

AIRpipe - Aluminum

AQUApipe - Stainless steel

Parker | Transair - Aluminum; Stainless steel

Quincy Compressor | AIRnet - Aluminum; Stainless steel

Vacuum Pumps

Dekker Vacuum Technologies - Liquid ring; Rotary vane;

Thomas - Articulating piston; Diaphragm; Linear; Rotary vane;

Quincy Compressors - Rotary screw; Dry claw; Rotary vane;

Accessories

Control Devices - Drain-All Condensate drains; WaterHog Condensate drains;

nano-purification solutions - Breathing air systems; Oil/Water separators;

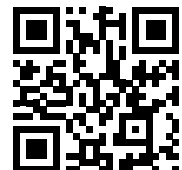
Parker - Breathing air systems; Oil/Water separators;

Quincy Compressors - Pressure flow controllers;

Samuel Pressure Vessel Group - Air tanks;

ZEKS - Oil/Water separators; Pressure flow controllers;

* Benefit from expanded supplier relationships through our JHFOSTER companies. Scan the QR code to learn more.

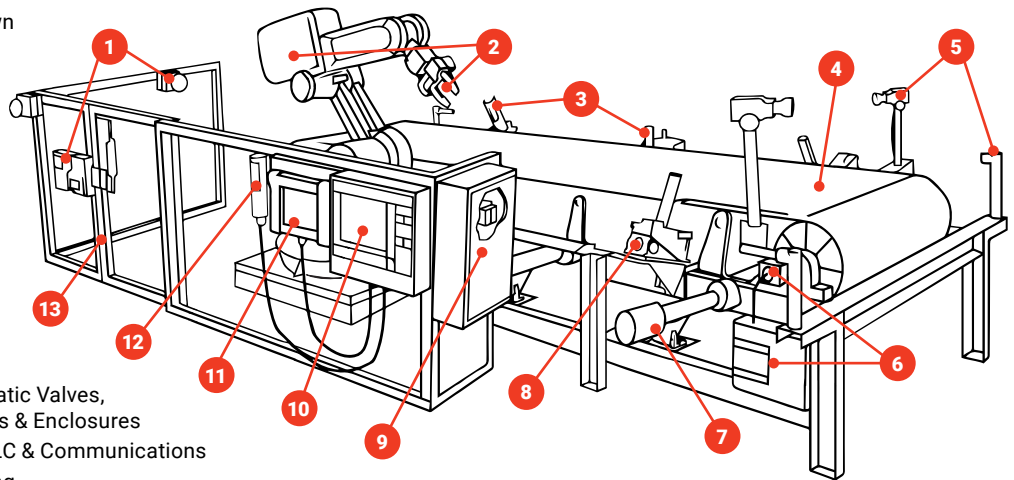


MAKING THE COMPLEX SIMPLE

JHFOSTER

JHFOSTER distributes these products shown as well as evaluates, designs, engineers, integrates and services the entire system.

1. Safety Interlocks & E-Stop Switches
2. Robots, Cobots & End-of-Arm Tooling
3. Inductive, Photoelectric & Ultrasonic Sensors
4. Conveyors
5. Machine Vision, Lighting & RFID Sensors
6. Servo Drives
7. Motors & Gearboxes
8. Limit Switches
9. Light Curtains
10. Robot Controls
11. Pneumatic Valves, Controls & Enclosures
12. HMI, PLC & Communications
13. Guarding



All Suppliers

- | | | | |
|-----------------------------------|----------------------------|-----------------------------|-------------------------------|
| ▶ 1STVISION INC | CONTROL DEVICES | JVL | ROBOTIQ |
| 80/20 INC | CONTROL LINE EQUIPMENT | KAWASAKI ROBOTICS | ROGERS MACHINERY CO |
| AAA PRODUCTS | CONVEYOR TECHNOLOGIES | KOGANEI | ▶ ROLLVIS SA |
| ACE CONTROLS | COVAL VACUUM TECHNOLOGY | ▶ LUCID VISION LABS | ROSS CONTROLS |
| ▶ ACCURATE THERMAL SYSTEMS | CURTISS WRIGHT (EXLAR) | MANCHESTER TANK & EQUIPMENT | SAMUEL PRESSURE VESSEL GROUP |
| ▶ ADVANCED ILLUMINATION | ▶ DALSA | MARSH BELLOFRAM | SANKYO AUTOMATION |
| AERZEN | ▶ DATALOGIC | MENCOM CORPORATION | SAUER COMPRESSORS USA |
| AIR-MITE DEVICES | DEKKER VACUUM TECHNOLOGIES | ▶ METAPHASE TECHNOLOGIES | ▶ SCHNEIDER OPTICS |
| AIRPIPE | DESTACO | ▶ MICROSONIC | ▶ SICK INC |
| AIRTX INTERNATIONAL | DORNER | MIDLAND METAL MANUFACTURING | ▶ SMART VISION LIGHTS |
| ALADCO | DWYER INSTRUMENTS | MIDWEST CONTROL | SOLBERG |
| ▶ ALPHA BALL SCREW | ▶ DYNAPAR | ▶ MIDWEST OPTICAL SYSTEMS | STÄUBLI |
| ALUMI-TEC INCORPORATED | ▶ DYNISCO INSTRUMENTS | MIDWEST PRESSURE SYSTEMS | STOBER |
| AMERICAN INDUSTRIAL HEAT TRANSFER | EDCO USA | ▶ MOTECK ELECTRIC CORP | SWIVELLINK |
| ▶ ANTUATOR | ▶ EDMUND INDUSTRIAL OPTICS | ▶ MURRELEKTRONIK | ▶ TBI MOTION |
| ▶ APG (ALLISON PARK GROUP INC) | ELLIS KUHNKE AUTOMATION | MURRPLASTIK SYSTEMS | TECHMAN ROBOT |
| ARROW PNEUMATICS | EMERSON ASCO | NANO-PURIFICATION SOLUTIONS | ▶ TEMPCO ELECTRIC HEATER CORP |
| BALLUFF | EMERSON AVENTICS | ▶ NAVITAR INC | THE SPECIALTY MFG CO |
| ▶ BANNER ENGINEERING | ▶ EUCHNER | NGT SPECIALTY VALVES | THERMAL PRECISION |
| ▶ BASLER | ▶ EXOR | NIDEC-SHIMPO | THERMAL TRANSFER |
| ▶ BAUMER LTD | FREELIN WADE | NOPAK | ▶ THERMOCOUPLE INNOVATIONS |
| BEACH FILTER PRODUCTS | ▶ FUJINON | NOREN THERMAL SOLUTIONS | THOMAS |
| BEKO CONDENSATE SYSTEMS | ▶ GARDASOFT | NORGREN | ▶ TIMOTION |
| BIMBA | GARDNER DENVER | ▶ OMRON | TOLOMATIC |
| BIMBA ACRO | GARDNER DENVER (COMPAIR) | ONROBOT | ▶ TOYO |
| BIMBA MEAD | GENERANT | ▶ OPTEX FA | ▶ TR ELECTRONIC |
| BIMBA MFD | GENERON | ▶ OPTO ENGINEERING | TRIDENT |
| BIMBA PNEUMADYNE | HANNAY REELS | ORIENTAL MOTOR | ▶ TRU-VU MONITORS INC |
| BIMBA TRD | HEIDENHAIN | PARKER HANNIFIN | ▶ UNIVERSAL ROBOTS |
| BIMBA VACCON | ▶ HOHNER CORP | PISCO | VIBCO |
| BUCHER HYDRAULICS DYNA-LIFT | HUMPHREY PRODUCTS | ▶ PMI LINEAR MOTION SYSTEMS | VI-CAS MANUFACTURING |
| CANFIELD CONNECTOR | HYCOMP | POLYCONN DIVISION | ▶ WERMA-USA INC |
| CARLO GAVAZZI | HYDROVANE | PORE TECHNOLOGY LIMITED | WIELAND ELECTRIC |
| ▶ CCS AMERICA INC | IAI - INTELLIGENT ACTUATOR | POWEREX | WIKA |
| CDI METERS | ▶ ICOTEK | QUINCY COMPRESSOR | ZEKS |
| CLEAN RESOURCES LLC | IFM EFECTOR | R+W COUPLING TECHNOLOGY | ZERO-MAX |
| ▶ COGNEX | ▶ IGUS | REELCRAFT | ZSI-FOSTER |
| ▶ CONTRINEX | ▶ JORAL LLC | RIETSCHLE | |

▶ Expanded supplier relationships through our JHFOSTER companies