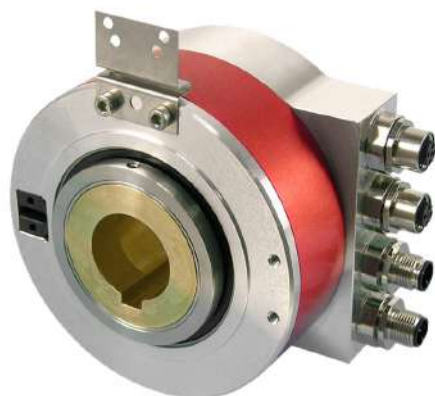


## Absolute-Encoder COH110 - ETC



Ref.: K-COH110-ETC-1

24.06.2021

010102011003030202

### Advantages

- Customer-specific solutions
- Flexible programming
- High resolution system

### General Data

Nominal voltage	
- Specific value	24 VDC
- Limit values, min/max	11/27 VDC
Nominal current, typically	
- Specific value	120 mA
- Condition	unloaded
Device design	
- Type	Single-/Multi-Turn
Total resolution	<= 36 Bit
Number of steps per revolution	<= 262144
Number of revolutions	<= 256000
Output capacity	<= 32 Bit
EtherCAT - Interface	
- EtherCAT	IEC 61158-1-6, IEC 61784-2
- Physical Layer	Fast Ethernet, ISO/IEC 8802-3
- Device profile	CoE, CiA DS-406
Incremental - Interface	
- Equipment	Optional interface
- Incremental signals, square	K1± K2± K0±
- Impulses, square wave	1...36000
- Output driver, TTL	RS-422, 5 VDC
- Output driver, HTL	Push-Pull, 11...27 VDC

Subject to change.

TR-Electronic GmbH  
 Eglshalde 6  
 78647 Trossingen  
 Tel. +49 (0) 7425 228-0  
 info@tr-electronic.de  
[www.tr-electronic.de](http://www.tr-electronic.de)

# Absolute-Encoder COH110 - ETC

Ref.: K-COH110-ETC-1

24.06.2021

010102011003030202

## General Data continuation

- Type of parametrization	programmable
- Output frequency	<= 300 KHz
Transmission rate	
- Specific value	100 MBit/s
Cycle time	100 µs
Parameter/Function, changeable	Resolution
	Preset parameter
	Interface parameter
	Counting direction
Type of parametrization	programmable
Programming - Tool	Fieldbus-Device
Maximum Speed, mechanically	<= 2000 1/min
Shaft load, axial/radial	Own mass
Bearing life time	>= 3.9E+10 revolutions
Bearing life time - Parameter	
- Speed	2000 1/min
- Operating temperature	60 °C
Shaft type	
- Shaft diameter [mm]	15
- Shaft diameter [mm]	28
- Shaft diameter [mm]	30
- Shaft diameter [mm]	35
- Shaft diameter [mm]	38
- Shaft diameter [mm]	40
- Shaft diameter [mm]	50
Angular acceleration	<= 10E+4 rad/s <sup>2</sup>
Moment of inertia, typically	525E-6 kg m <sup>2</sup>
Start-up torque, 20 °C	8 Ncm
Concentricity tolerance	± 0.05 mm
Mass, typically	
- Without shaft insert	1.200 kg
- With shaft insert	1.750 kg

## Environmental conditions

Vibration	
- Specific value	<= 100 m/s <sup>2</sup>

Subject to change.

## Absolute-Encoder COH110 - ETC

Ref.: K-COH110-ETC-1

24.06.2021

010102011003030202

### Environmental conditions continuation

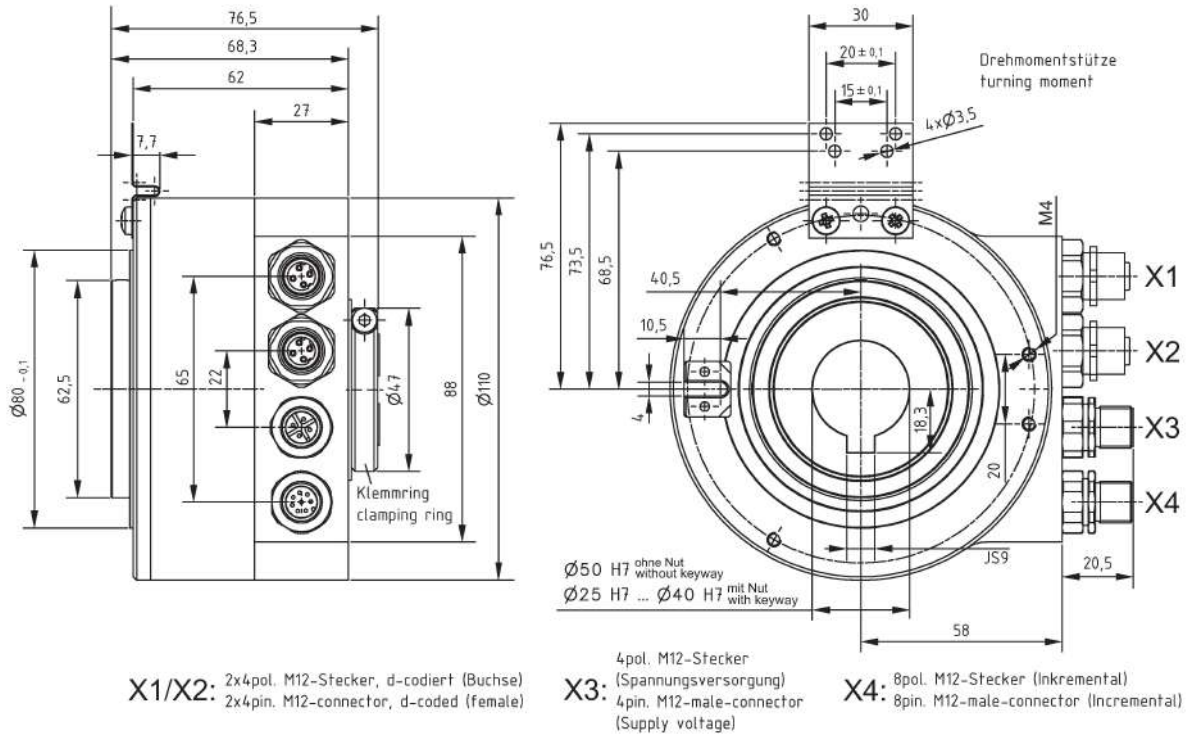
- Sine	50...2000 Hz
Shock	
- Specific value	$\leq 1000 \text{ m/s}^2$
- Half sine	11 ms
Immunity to disturbance	DIN EN 61000-6-2
Transient emissions	DIN EN 61000-6-3
Working temperature	
- Standard	0...+60 °C
- Optional	-20...+70 °C;
Storage temperature, dry	-30...+80 °C
Relative humidity	98 %, non condensing
Protection class	
- Standard	IP54

Subject to change.

# Absolute-Encoder COH110 - ETC

Ref.: K-COH110-ETC-1  
 24.06.2021  
 010102011003030202

## Dimensional drawing



Subject to change.

---

## Absolute-Encoder COH110 - ETC

**Ref.: K-COH110-ETC-1**

24.06.2021

010102011003030202

### **Suggested products**

COH110M\*262144/4096 ETC2+INC 50H7      COH110M-00001  
4x 4pin M12 1x 4pin M8

---

**Subject to change.**