

## Absolute-Encoder CES58 - SSI



Ref.: K-CES58-SSI-1

24.06.2021

010102005802010203

### Advantages

— New series available

### General Data

Nominal voltage	
- Specific value	24 VDC
- Limit values, min/max	11/27 VDC
Nominal current, typically	
- Specific value	80 mA
- Condition	unloaded
Supply	
- In case of UL / CSA approval	according to NEC Class 2
Device design	
- Type	Single-/Multi-Turn
Total resolution	$\leq 33$ Bit
Number of steps per revolution	$\leq 32768$
Number of revolutions	$\leq 256000$
Output capacity	$\leq 27$ Bit
SSI - Interface	
- SSI-Clock input	Optocoupler
- SSI-Data output	RS-422, 2-wire
- SSI-Clock frequency	80...1000 kHz
- SSI-Mono time, typically	20 $\mu$ s
Incremental - Interface	
- Equipment	Optional interface
- Incremental signals, square	K1 $\pm$ K2 $\pm$

Subject to change.

TR-Electronic GmbH  
Eglisshalde 6  
78647 Trossingen  
Tel. +49 (0) 7425 228-0  
info@tr-electronic.de  
[www.tr-electronic.de](http://www.tr-electronic.de)

# Absolute-Encoder CES58 - SSI

Ref.: K-CES58-SSI-1  
24.06.2021  
010102005802010203

## General Data continuation

- Impulses, square wave	1024 or 2048
- Output driver, TTL	RS-422, 5 VDC
Cycle time	250 µs, internal
Parameter/Function, changeable	Resolution
	Output code
	Output format
	Movement status signal
	Limit switch
	Error signal
	Preset parameter
	Parity
	Direction signal
	Overspeed
	Counting direction
Type of parametrization	programmable
Programming - Tool	TR-Soft: TRWinProg
External inputs	
- F/R	Count direction
- Preset	electronic adjustment
- Logic level	"0" < +2V, "1" = Supply
External outputs	
- Output level	Supply voltage, <= 50 mA
- Type of parametrization	programmable
- Number of outputs	8
- Output stages	Push Pull
- Equipment	Option
- Short-circuit proof	yes
Maximum Speed, mechanically	<= 12000 1/min
Shaft load, axial/radial	Own mass
Bearing life time	>= 3.9E+10 revolutions
Bearing life time - Parameter	
- Speed	6000 1/min
- Operating temperature	60 °C
Shaft type	
- Shaft diameter [mm]	8
- Shaft diameter [mm]	10
- Shaft diameter [mm]	11
- Shaft diameter [mm]	12

Subject to change.

# Absolute-Encoder CES58 - SSI

Ref.: K-CES58-SSI-1

24.06.2021

010102005802010203

## General Data continuation

Angular acceleration	$\leq 10E+4 \text{ rad/s}^2$
Moment of inertia, typically	$2.5E-6 \text{ kg m}^2$
Start-up torque, 20 °C	2 Ncm
Concentricity tolerance	$\pm 0.3 \text{ mm}$ (static, radial)
Mass, typically	0.3...0.5 kg

## Environmental conditions

Vibration	
- Specific value	$\leq 100 \text{ m/s}^2$
- Sine	50...2000 Hz
Shock	
- Specific value	$\leq 1000 \text{ m/s}^2$
- Half sine	11 ms
Immunity to disturbance	DIN EN 61000-6-2
Transient emissions	DIN EN 61000-6-3
Working temperature	
- Standard	0...+60 °C
- Optional	-20...+70 °C;
Storage temperature, dry	-30...+80 °C
Relative humidity	98 %, non condensing
Protection class	
- Standard	IP65

Subject to change.

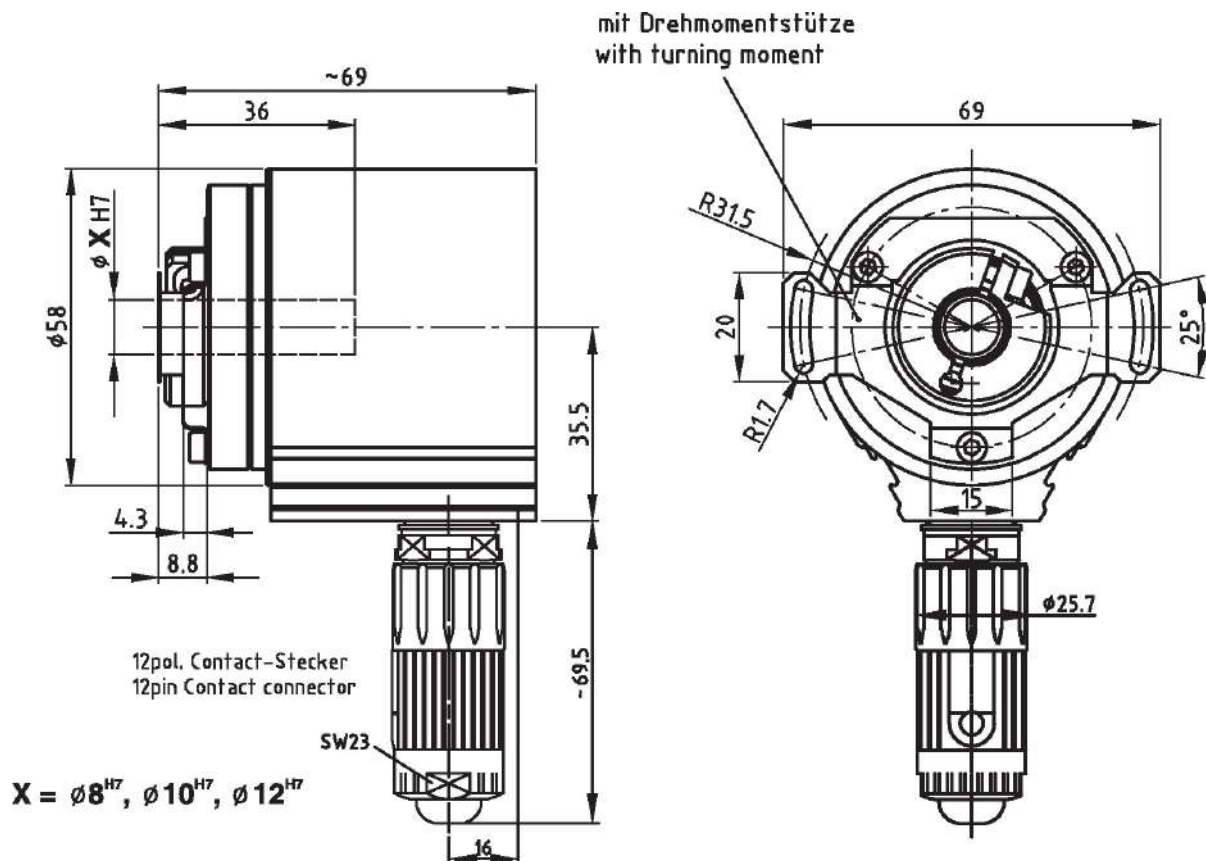
# Absolute-Encoder CES58 - SSI

Ref.: K-CES58-SSI-1

24.06.2021

010102005802010203

## Dimensional drawing



Subject to change.