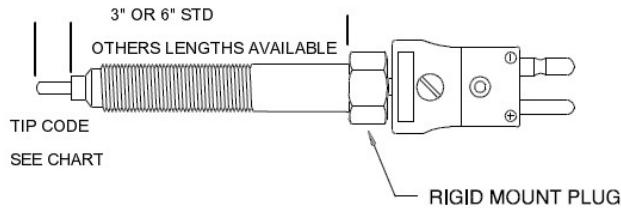
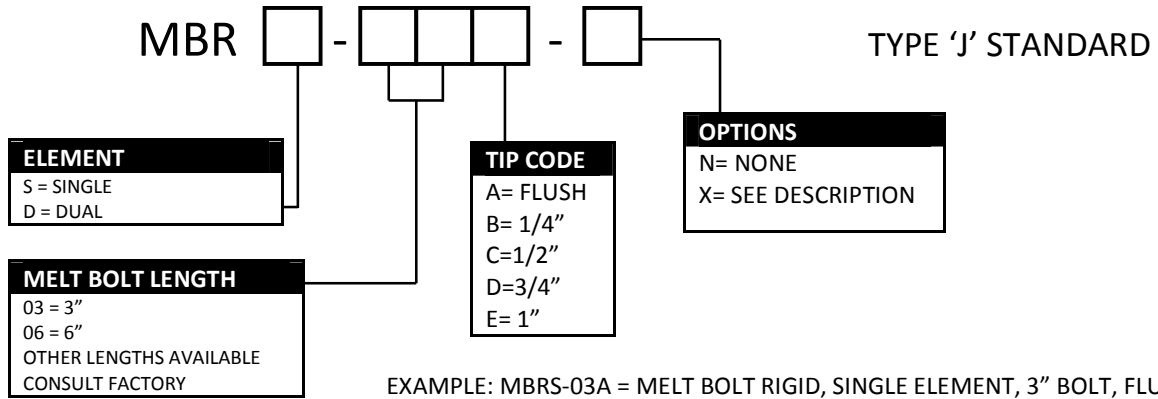


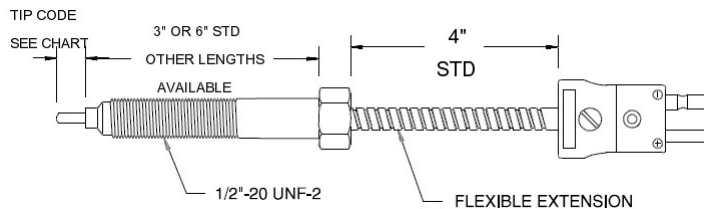
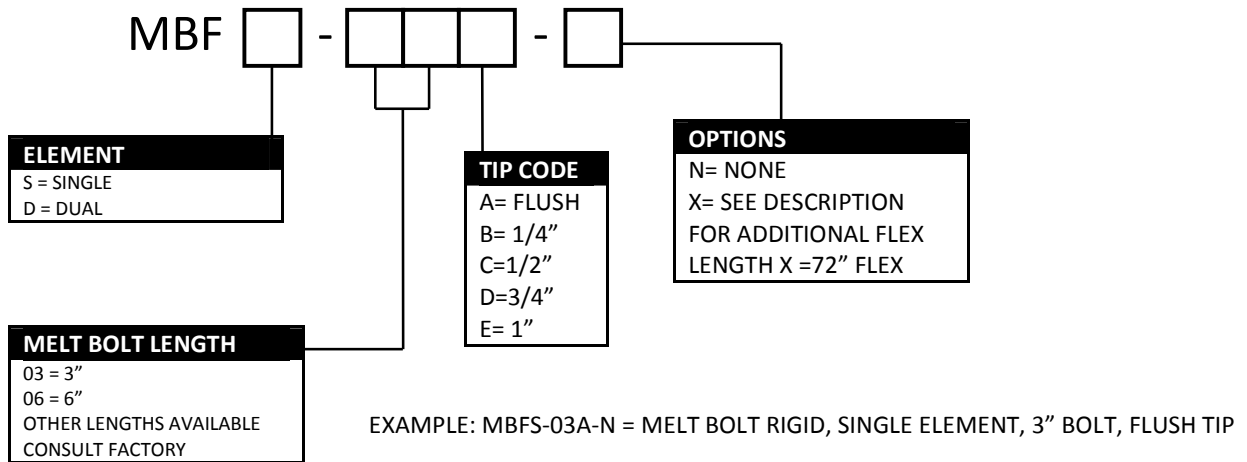
MELT BOLT

HOW TO CONSTRUCT A PART NUMBER

RIGID TYPE



FLEXIBLE TYPE



ThermoCouple Innovations, Inc

THERMOCOUPLE INNOVATIONS, INC. 1251 POMONA ROAD, UNIT 106 CORONA, CA 92880

PHONE (951) 215-7070 FAX (951) 279-1641 WEBSITE: WWW.TCI-INC.COM