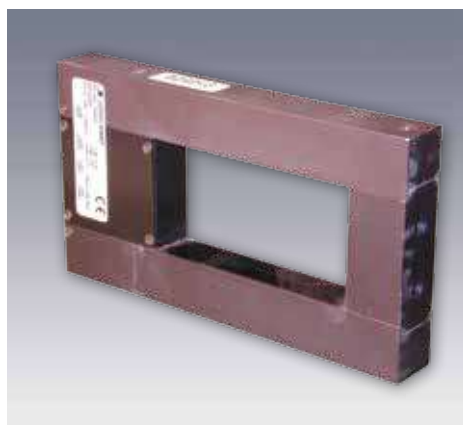


# FG 40 / 80 / 120

## Optical windows



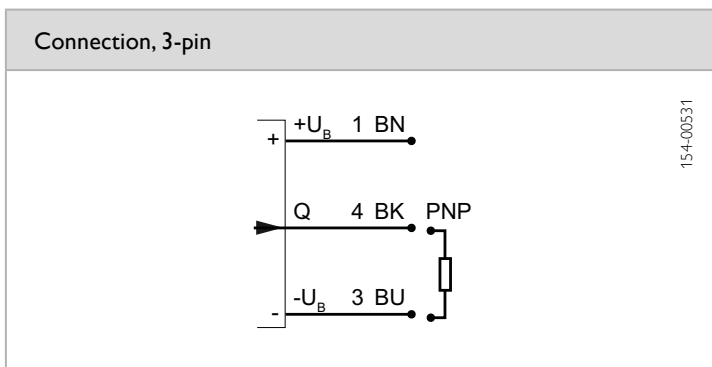
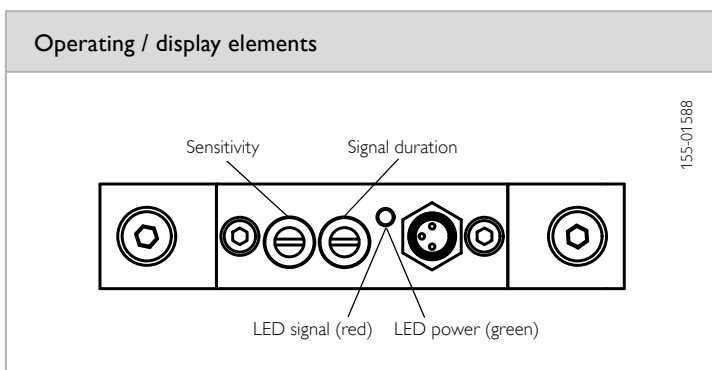
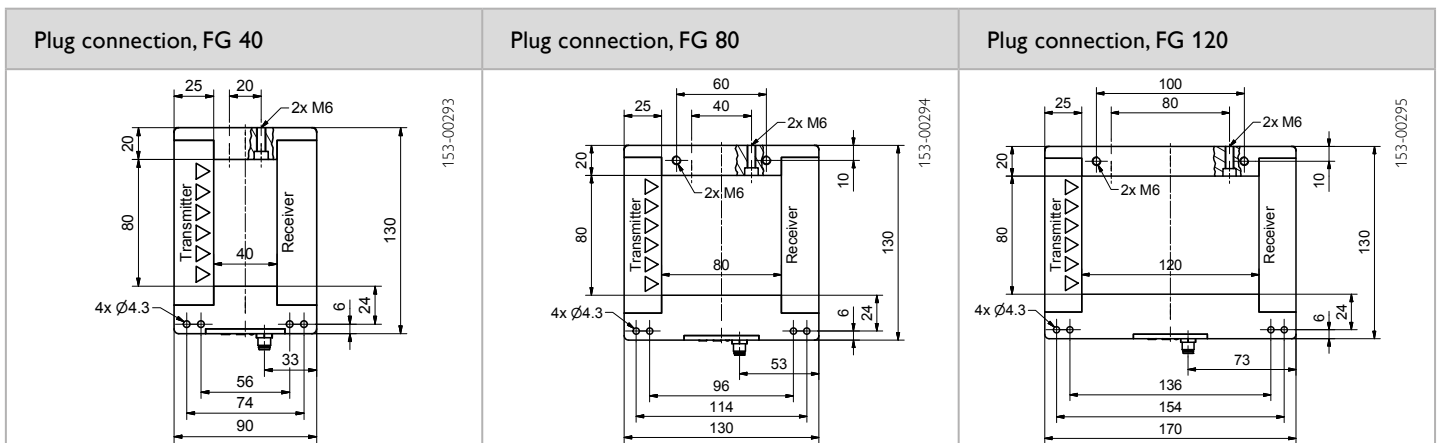
### PRODUCT HIGHLIGHTS

- Ideally suited for monitoring ejection
- Active zone 40, 80 or 120 mm
- Dynamic evaluation
- Adjustable output signal duration 10 ... 300 ms

Optical data		Functions	
Window size	40 x 80 mm <sup>2</sup> / 80 x 80 mm <sup>2</sup> / 120 x 80 mm <sup>2</sup> (see Selection Table)	Display LED, green	Operating voltage indicator
Type of light	Infrared, 880 nm	Display LED, yellow	Switching output indicator
Resolution	1.0 mm <sup>1, 2</sup> / 1.2 mm <sup>3</sup>	Sensitivity adjustment	Via potentiometer
		Adjustment possibilities	Output signal duration via potentiometer
Electrical data		Mechanical data	
Operating voltage, +U <sub>B</sub>	10 ... 30V DC	Dimensions	(See plug connection)
No-load current, I <sub>0</sub>	≤ 40 mA <sup>1</sup> / ≤ 45 mA <sup>2</sup> / ≤ 60 mA <sup>3</sup>	Enclosure rating	IP 67 <sup>4</sup>
Output current, I <sub>e</sub>	≤ 200 mA	Material, housing	Aluminium, anodised
Voltage drop,	≤ 3.5 V	Material, active areas	PMMA
Protective circuits	Reverse polarity protection, U <sub>B</sub> / Short-circuit protection (Q)	Type of connection	See Selection Table
Protection Class	2	Ambient temperature: operation	-10 ... +55 °C
Power On Delay	< 100 ms	Weight	See Selection Table
Switching output, Q	PNP		
Output function	N.O.		
Switching frequency, f (ti/tp 1:1)	3 ... 100 Hz		

<sup>1</sup> FG 40   <sup>2</sup> FG 80   <sup>3</sup> FG 120   <sup>4</sup> With connected IP 67 plug

Window size	Switching output	Type of connection	Weight	Part number	Article number
40 x 80 mm <sup>2</sup>	PNP	Plug, M8x1, 3-pin	280 g	FG 40 I-PSM3	831-81000
80 x 80 mm <sup>2</sup>	PNP	Plug, M8x1, 3-pin	400 g	FG 80 I-PSM3	831-81001
120 x 80 mm <sup>2</sup>	PNP	Plug, M8x1, 3-pin	480 g	FG 120 I-PSM3	831-81002



### Accessories

Connection cables	From Page A-38
-------------------	----------------