



Operating manual mic+ Ultrasonic Sensors with one analogue output and one switched output

- mic+25/DIU/TC
- mic+35/DIU/TC
- mic+130/DIU/TC
- mic+340/DIU/TC
- mic+600/DIU/TC

Product description

- The mic+sensor with one analogue output and one switched output measures the distance to an object within the detection zone contactless. A signal proportional to distance is created and the switched output is set according to the adjusted detect distance.
- The sensor automatically detects the load put to the analogue output and switches to current output or voltage output respectively.
- All settings are done with two push-buttons and a three-digit LED-display (TouchControl).
- Light emitting diodes (three-color LEDs) indicate all operation conditions.
- Choosing between rising and falling output characteristic as well as output function NOC and NCC is possible.
- The sensors are adjustable manually using the numerical LED-display or may be trained using Teach-in processes.
- Useful additional functions are set in the Add-on-menu.
- Using the LinkControl adapter (optional accessory) all TouchControl and additional sensor parameter settings may be made by a Windows-Software.

Important instructions for assembly and application

All employee and plant safety-relevant measures must be taken prior to assembly, start-up, or maintenance work (see operation manual for the entire plant and the operator instruction of the plant).

The sensors are not considered as safety equipment and may not be used to ensure human or machine safety!

The mic+ sensors indicate a **blind zone**, in which the distance cannot be measured. The **operating range** indicates the distance of the sensor that can be applied with normal reflectors with sufficient function reserve. When using good reflectors, such as a calm water surface, the sensor can also be used up to its **maximum range**. Objects that strongly absorb (e.g. plastic foam) or diffusely reflect sound (e.g. pebble stones) can also reduce the defined operating range.

Synchronisation

If the assembly distances shown in Fig.1 for two or more sensors are exceeded the integrated synchronisation should be used. Connect Sync/Com-channels (pin 5 at the units acceptable) of all sensors (10 maximum).

	≥0.35 m	≥2.50 m
	≥0.40 m	≥2.50 m
	≥1.10 m	≥8.00 m
	≥2.00 m	≥18.00 m
	≥4.00 m	≥30.00 m

Fig. 1: Assembly distances, indicating synchronisation/multiplex

Multiplex mode

The Add-on-menu allows to assign an individual address »01« to »10« to each sensor connected via the Sync/Com-channel (Pin5). The sensors perform the ultrasonic measurement sequentially from low to high address. Therefore any influence between the sensors is rejected. The address »00« is reserved to synchronisation mode and deactivates the multiplex mode. (To use synchronised mode all sensors must be set to address »00«.)

Assembly instructions

- Assemble the sensor at the installation location.
- Plug in the connector cable to the M 12 connector.

	+U _B	brown
	-U _B	blue
	D	black
	IU	white
	Sync/Com.	grey

Fig. 2: Pin assignment with view onto sensor plug and colour coding of the microsonic connection cable

Start-up

- mic+ sensors are delivered factory made with the following settings:
- Rising analogue characteristic
- Window margins for the analogue output set to blind zone and operating range
- Switched output on NOC
- Detecting distance at operating range
- Measurement range set to maximum range

Set the parameters of the sensor manually or use the Teach-in procedure to adjust the detect points.

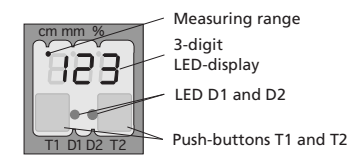


Fig. 3: TouchControl

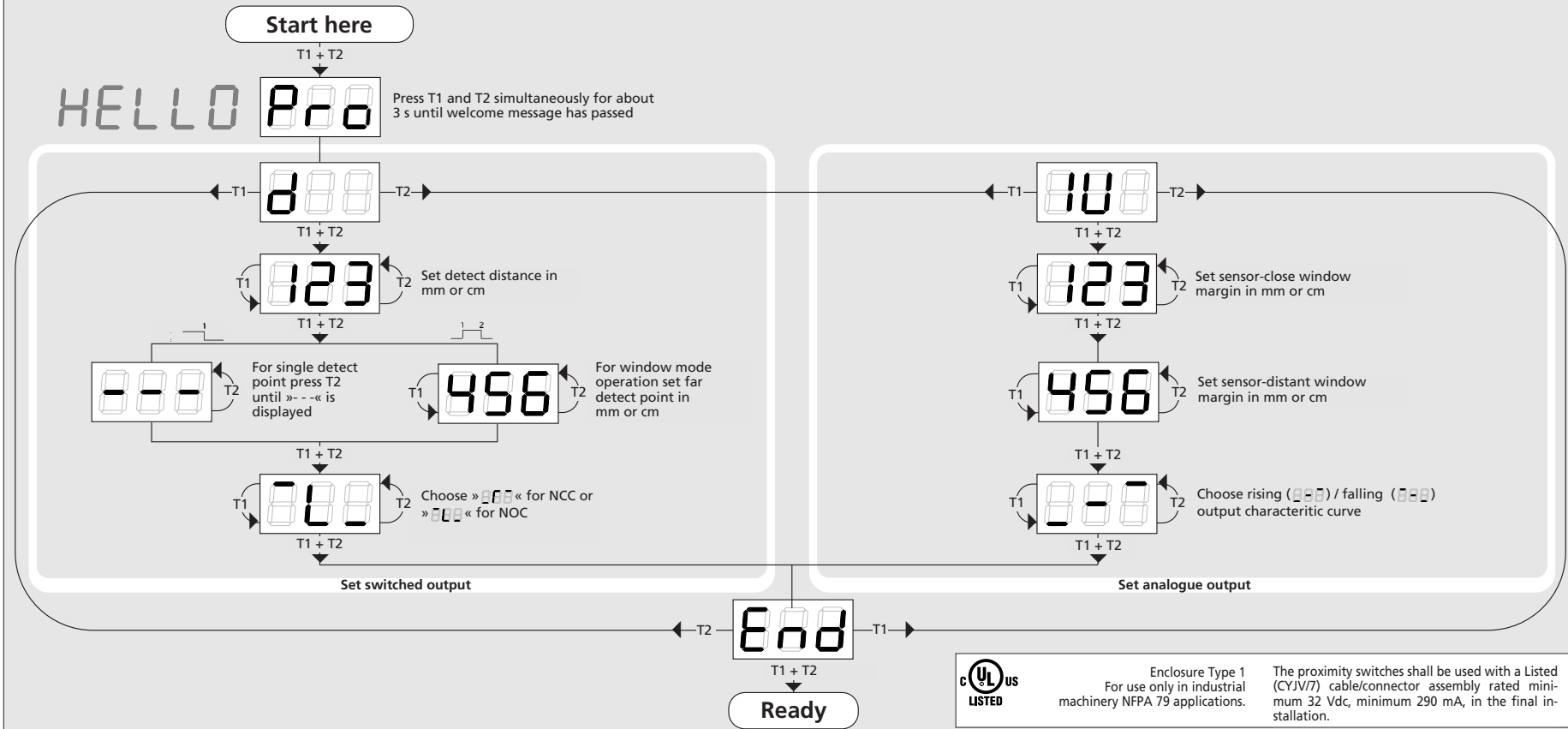
Operation

mic+ sensors work maintenance free. Small amounts of dirt on the surface do not influence function. Thick layers of dirt and caked-on dirt affect sensor function and therefore must be removed.

Note

- mic+ sensors have internal temperature compensation. Because the sensors heat up on their own, the temperature compensation reaches its optimum working point after approx. 30 minutes of operation.
- If an object is within the set window margins of the analogue output, then LED D1 lights up green, if the object is outside the window margins, then LED D1 lights up red.
- The load put to the analogue output is detected automatically when turning supply voltage on.
- During normal mode operation, a yellow LED D2 signals that the switched output has connected.
- During normal mode operation, the measured distance value is displayed on the LED-indicator in mm (up to 999 mm) or cm (from 100 cm). Scale switches automatically and is indicated by a point on top of the digits. Alternatively a percentage scale may be set in the add-on menu. In this connection 0 % and 100 % correspond to the set window margins of the analogue output.
- In the »Two-way reflective barrier« operating mode, the object has to be within the range of 0-85 % of the set distance.
- During Teach-in mode, the hysteresis loops are set back to factory settings.
- If no objects are placed within the detection zone the LED-indicator shows »- -«.
- If no push-buttons are pressed for 20 seconds during parameter setting mode the made changes are stored and the sensor returns to normal mode operation.

Set sensor parameters alternatively numerically using LED-display...

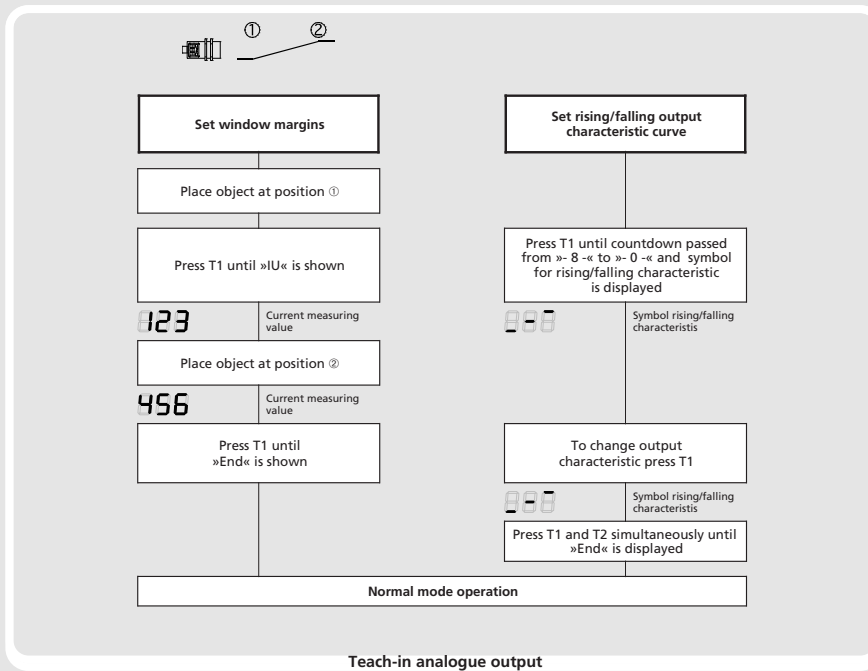
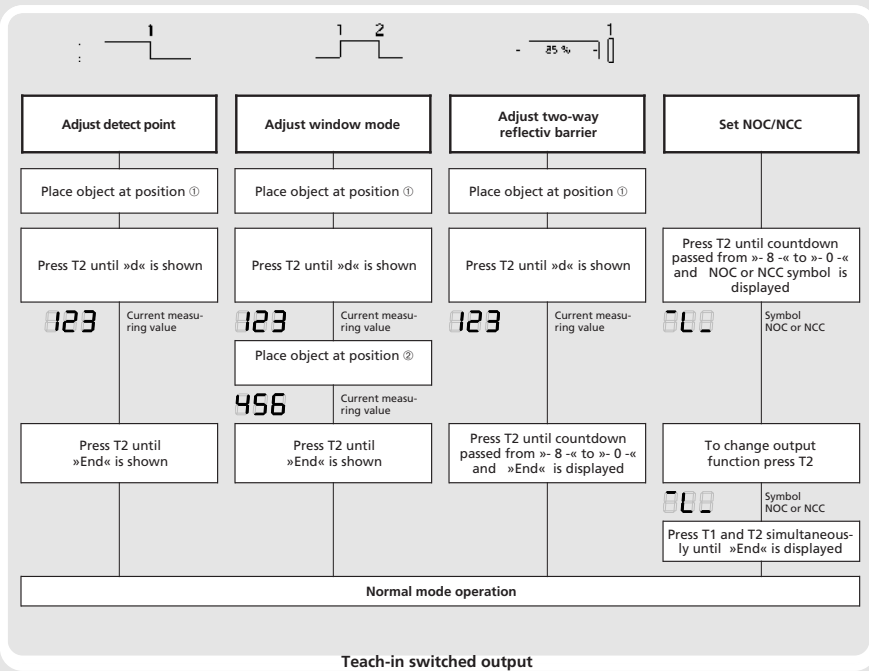


Enclosure Type 1
For use only in industrial machinery NFPA 79 applications.

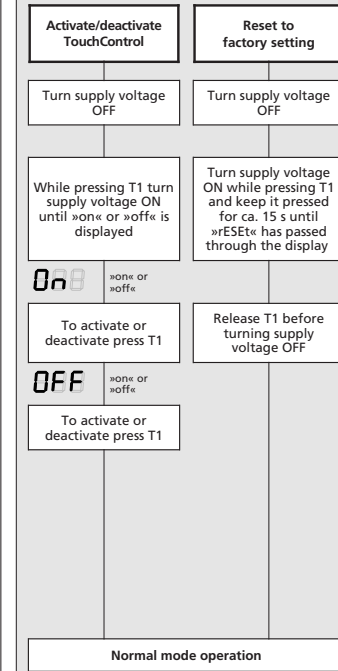
The proximity switches shall be used with a Listed (CYJV/7) cable/connector assembly rated minimum 32 Vdc, minimum 290 mA, in the final installation.



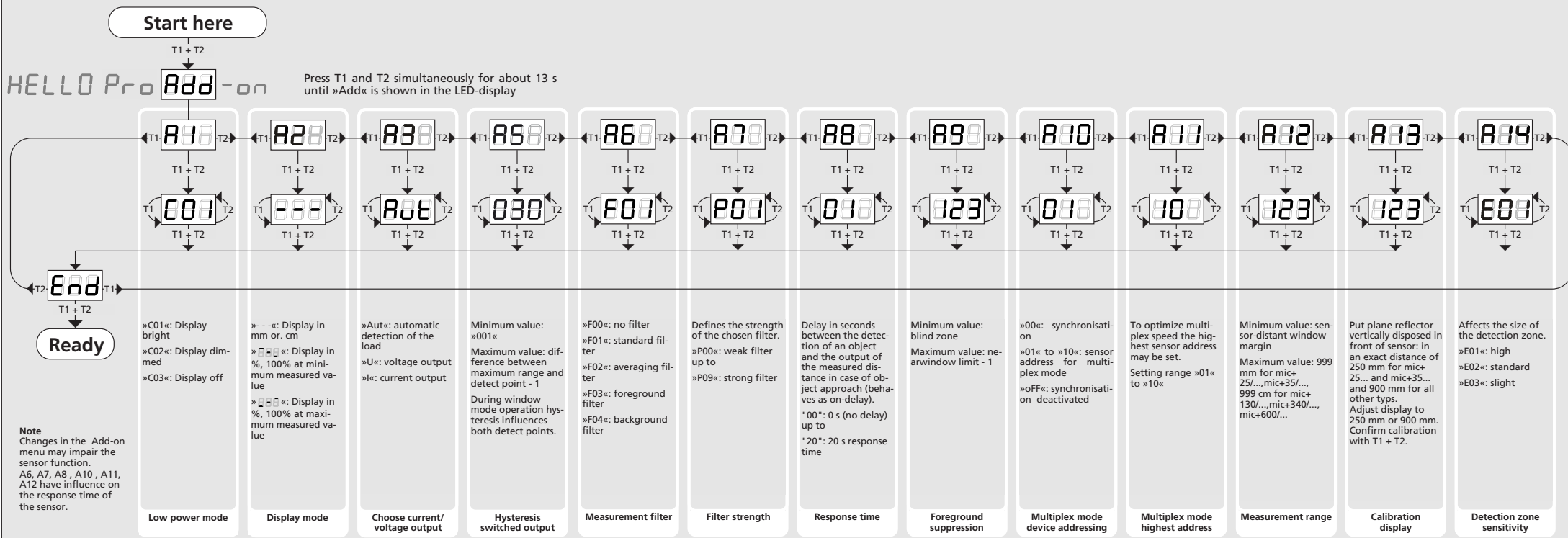
...or with the Teach-in procedure



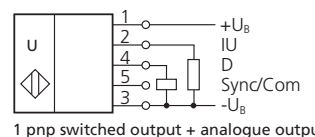
Key lock and factory setting



Usefull additional functions in Add-on menu (for experienced users only, settings not required for standard applications)



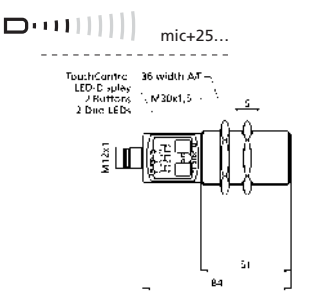
Technical data



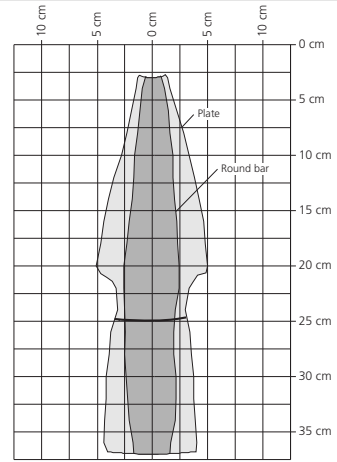
1 pnp switched output + analogue output

blind zone
operating range
maximum range
angle of beam spread
transducer frequency
resolution, sampling rate

detection zones for different objects:
The dark grey areas are determined with a thin round bar (10 or 27 mm dia.) and indicate the typical operating range of a sensor. In order to obtain the light grey areas, a plate (500 x 500 mm) is introduced into the beam spread from the side. In doing so, the optimum angle between plate and sensor is always employed. This therefore indicates the maximum detection zone of the sensor. It is not possible to evaluate ultrasonic reflections outside this area.



0 to 30 mm
250 mm
350 mm
Please see detection zone
320 kHz
0,025 mm bis 0,10 mm, depending on the analogue window



reproducibility
accuracy

operating voltage U_B
voltage ripple
no-load supply current

housing

class of protection to EN 60529

norm conformity

type of connection

controls

indicators

programmable

operating temperature

storage temperature

Weight

switching hysteresis¹⁾

switching frequency¹⁾

response time¹⁾

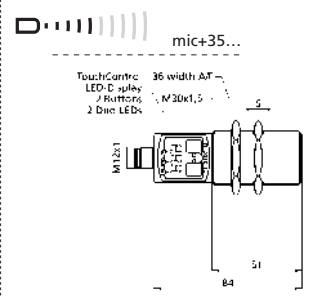
time delay before availability

order No.

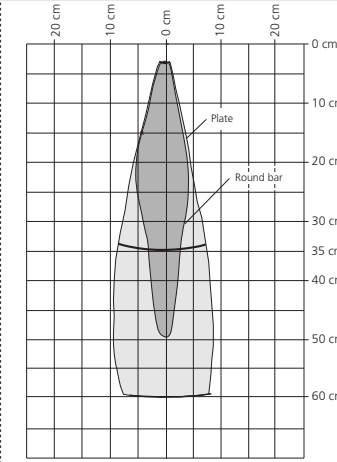
switched output

current output 4 - 20 mA

voltage output 0 - 10 V



0 to 65 mm
350 mm
600 mm
Please see detection zone
400 kHz
0,025 mm bis 0,17 mm, depending on the analogue window



reproducibility
accuracy

operating voltage U_B
voltage ripple
no-load supply current

housing

class of protection to EN 60529

norm conformity

type of connection

controls

indicators

programmable

operating temperature

storage temperature

Weight

switching hysteresis¹⁾

switching frequency¹⁾

response time¹⁾

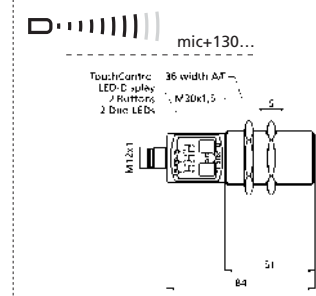
time delay before availability

order No.

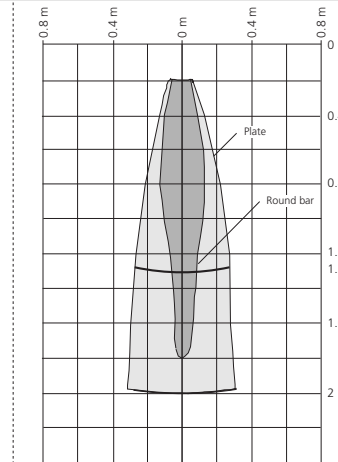
switched output

current output 4 - 20 mA

voltage output 0 - 10 V



0 to 200 mm
1.300 mm
2.000 mm
Please see detection zone
200 kHz
0,18 mm bis 0,57 mm, depending on the analogue window



reproducibility
accuracy

operating voltage U_B
voltage ripple
no-load supply current

housing

class of protection to EN 60529

norm conformity

type of connection

controls

indicators

programmable

operating temperature

storage temperature

Weight

switching hysteresis¹⁾

switching frequency¹⁾

response time¹⁾

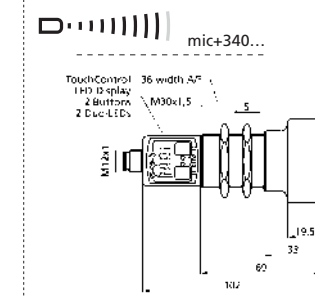
time delay before availability

order No.

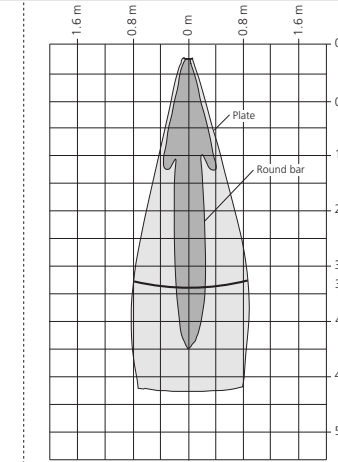
switched output

current output 4 - 20 mA

voltage output 0 - 10 V



0 to 350 mm
3.400 mm
5.000 mm
Please see detection zone
120 kHz
0,18 mm bis 1,50 mm, depending on the analogue window



reproducibility
accuracy

operating voltage U_B
voltage ripple
no-load supply current

housing

class of protection to EN 60529

norm conformity

type of connection

controls

indicators

programmable

operating temperature

storage temperature

Weight

switching hysteresis¹⁾

switching frequency¹⁾

response time¹⁾

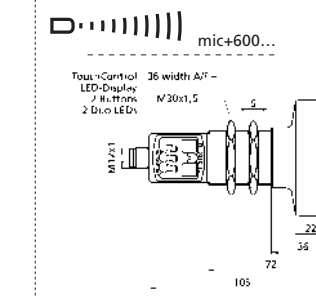
time delay before availability

order No.

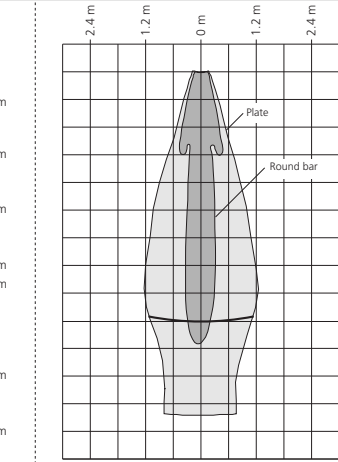
switched output

current output 4 - 20 mA

voltage output 0 - 10 V



0 to 600 mm
6.000 mm
8.000 mm
Please see detection zone
80 kHz
0,18 mm bis 2,40 mm, depending on the analogue window



reproducibility
accuracy

operating voltage U_B
voltage ripple
no-load supply current

housing

class of protection to EN 60529

norm conformity

type of connection

controls

indicators

programmable

operating temperature

storage temperature

Weight

switching hysteresis¹⁾

switching frequency¹⁾

response time¹⁾

time delay before availability

order No.

switched output

current output 4 - 20 mA

voltage output 0 - 10 V

1) Can be programmed with TouchControl and LinkControl

