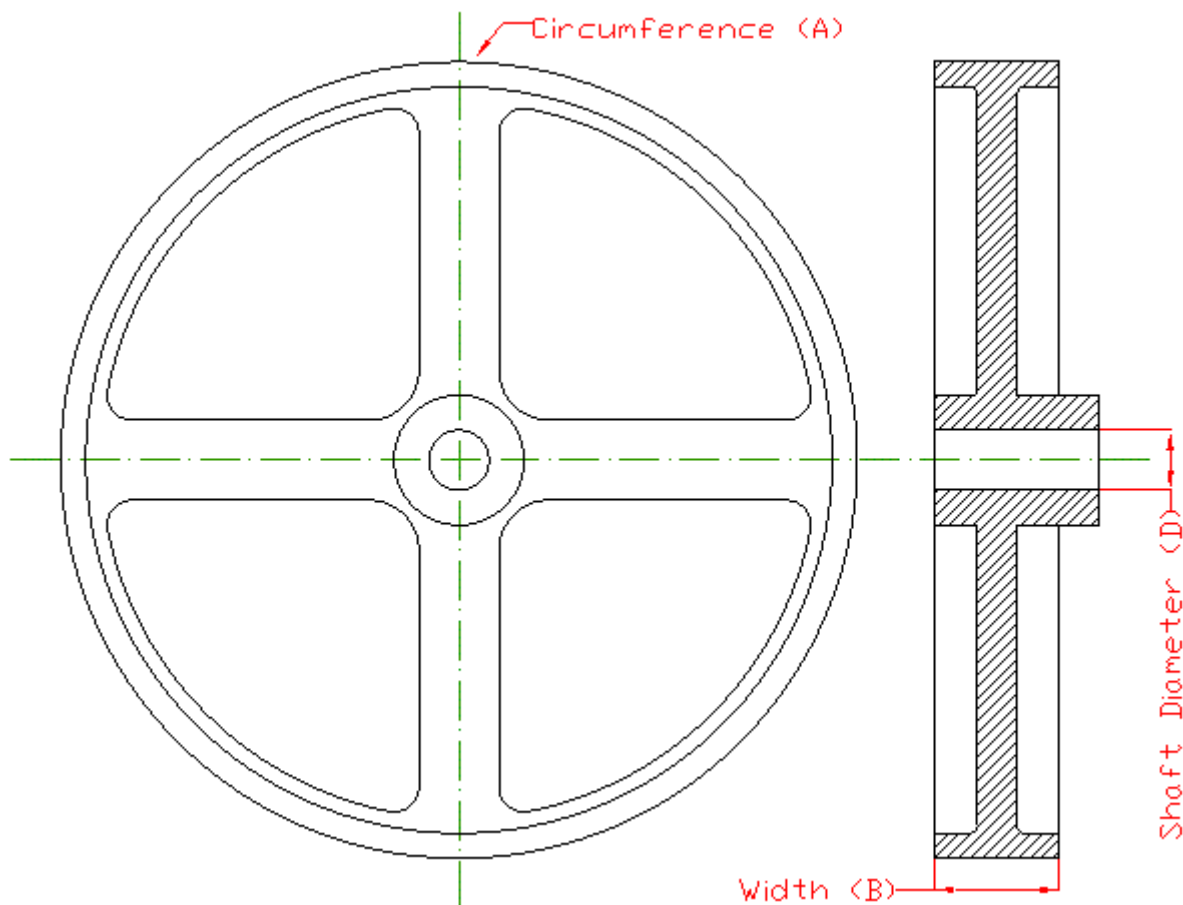
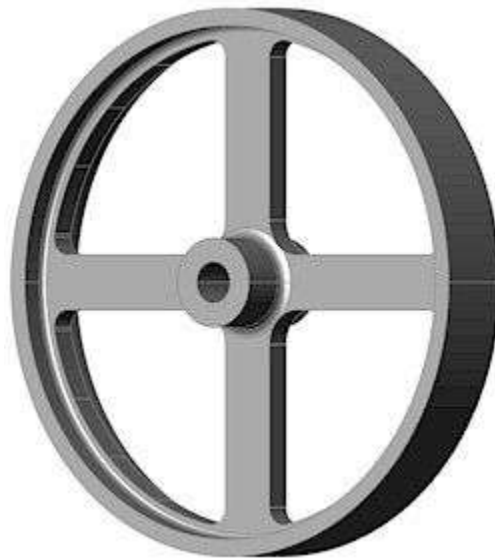


Measuring Wheels

Type 91XX - Many sizes >



Dimensions and Part Numbers:

| Part Number | Circumference (A) | Width (B) | Shaft Diameter (D) | Material |
|-------------|-------------------|-----------|--------------------|---------------------------|
| 9101 | 500 mm | 25 mm | Up to 12 mm | Plastic |
| 9102 | 500 mm | 25 mm | Up to 12 mm | Dimpled Rubber coated Alu |

| | | | | |
|------|--------|-------|-------------|----------------------------|
| 9103 | 500 mm | 25 mm | Up to 12 mm | Knurled Aluminum |
| 9108 | 200 mm | 12 mm | Up to 12 mm | Plastic |
| 9109 | 200 mm | 12 mm | Up to 12 mm | Dimpled Rubber coated Alu. |
| 9110 | 200 mm | 12 mm | Up to 12 mm | Knurled Aluminum |