

# hohner Hohner Automation Ltd.

[Home](#)
[Email](#)
[Distributors](#)
[Terms](#)
[About Us](#)
[Accessories](#)
[Download 3D AutoCAD](#)

## Series 08 stainless steel absolute up to 12 mm - 4...20 mA output



0	8	X	X	-	0	6	X	X	-	0	X	X	X
							<u>Shaft Size</u>			<u>Resolution</u>			
							10 = 10 mm			360 = 1 ramp per turn			
							12 = 12 mm			180 = 2 ramps per turn			
										090 = 4 ramps per turn			
							<u>Connection</u>	<u>Housing Material</u>					
							1 = 2 m (6 ft) cable	S = Stainless Steel					
							2 = 5 m (16 ft) cable						
							4 = 15 m (50 ft) cable						

Precision: 10 bits in 360 degrees, 2.84 increments / degree



### Technical Data

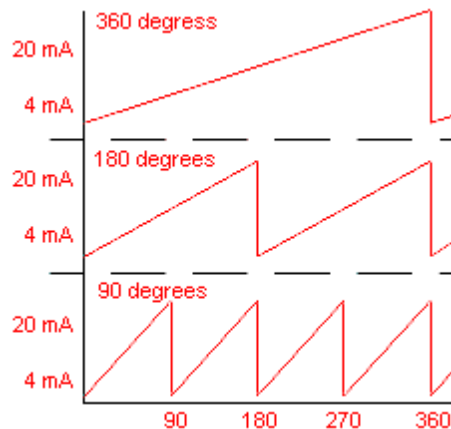
Operating temp:	- 20 ...+ 60 degrees C - 4 ...+ 140 degrees F
Max frequency:	5 kHz
Weight:	26 oz (0.75 kg)
Protection:	IP 66 / X7 M
Housing:	Stainless Steel
Shaft:	Stainless Steel
Bearings:	3 x 6803 ZZ C2
Torque:	0.8 oz/in (6 N-cm)
Shaft load:	Supports its own weight
Humidity:	Up to 100% permissible
Speed:	2000 RPM max.
Max. bits:	10 bit

### Connection Options

<b>Cable 2 meters</b>	
+ Loop	Red
- Loop	Black

### Output

Diagram is shown clockwise



## Certifications

Best suited to work with the following isolators: [MTL5541](#)

IP67M

ATEX [\[Certificate\]](#)

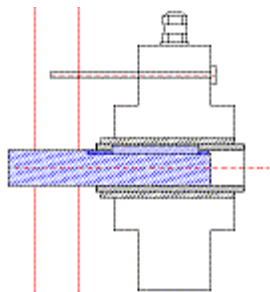
IECEX [\[Certificate\]](#)

CSA [\[Certificate\]](#)

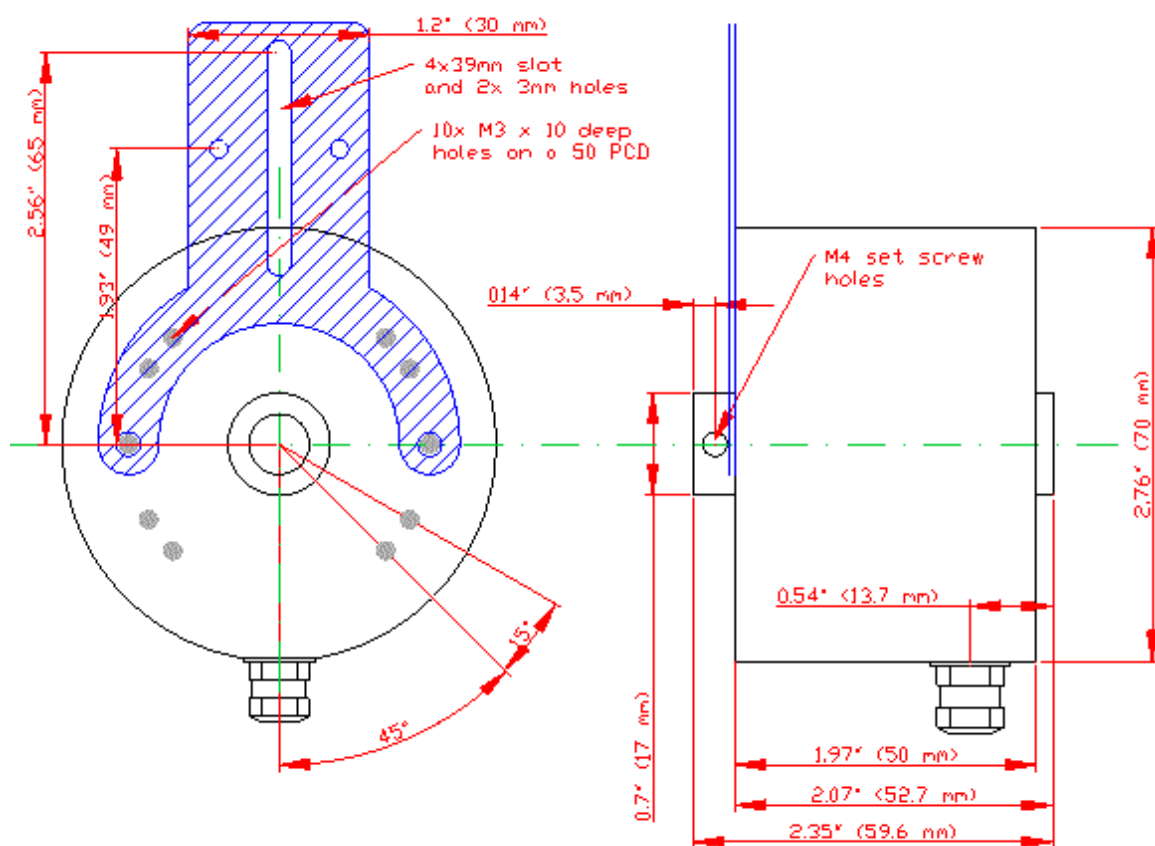
GOST (CU) [\[Certificate\]](#)

## Mounting Instructions

Clamp encoder to shaft and use torque arm to prevent rotation. Hook up the encoder with the connection as described. Make sure power supply meets specifications



## Dimensions



Hohner Automation Ltd.  
Whitegate Industrial Estate  
Wrexham LL13 8UG  
United Kingdom

Tel: +44 (0) 1978 363-888  
Fax: +44 (0) 1978 364-586  
E-mail: [uksales@hohner.com](mailto:uksales@hohner.com)  
Web: [www.hohneronline.co.uk](http://www.hohneronline.co.uk)