









EZ-LIGHT® One-Color General-Purpose Indicators



Datasheet

To view or download the latest technical information about this product, including specifications, dimensions, accessories, and wiring, see www.bannerengineering.com.

Models

Models ¹		LED Color ²	Models ¹		LED Color ²
	T8LGXXPQ	Color 1: Green		K30LGXXPQ	Color 1: Green
	T8LXRXQPQ	Color 2: Red		K30LXRXQPQ	Color 2: Red
	T8LXXYPQ	Color 3: Yellow		K30LXXYPQ	Color 3: Yellow
	<ul style="list-style-type: none"> Polycarbonate/ABS alloy housing, thermoplastic diffuser. IP67 			<ul style="list-style-type: none"> 22 mm threaded polycarbonate base, translucent polycarbonate dome. Fully encapsulated IP67, IP69K 	
	M18GXXPQ	Color 1: Green		K50LGXXPQ	Color 1: Green
	M18XRXQPQ	Color 2: Red		K50LXRXQPQ	Color 2: Red
	M18XXYPQ	Color 3: Yellow		K50LXXYPQ	Color 3: Yellow
	<ul style="list-style-type: none"> Nickel-plated brass housing, thermoplastic diffuser. Fully encapsulated IP67 			<ul style="list-style-type: none"> 30 mm threaded polycarbonate base, translucent polycarbonate dome. Fully encapsulated IP67, IP69K 	
	T18GXXPQ	Color 1: Green		K50FLGXXPQ	Color 1: Green
	T18XRXQPQ	Color 2: Red		K50FLXRXQPQ	Color 2: Red
	T18XXYPQ	Color 3: Yellow		K50FLXXYPQ	Color 3: Yellow
	<ul style="list-style-type: none"> Thermoplastic polyester housing, thermoplastic diffuser. Fully encapsulated IP67 			<ul style="list-style-type: none"> ABS base, translucent polycarbonate dome. Fully encapsulated IP67, IP69K 	
	T30GXXPQ	Color 1: Green		K80LGXXPQ	Color 1: Green
	T30XRXQPQ	Color 2: Red		K80LXRXQPQ	Color 2: Red
	T30XXYPQ	Color 3: Yellow		K80LXXYPQ	Color 3: Yellow
	<ul style="list-style-type: none"> Thermoplastic polyester housing, thermoplastic diffuser. Fully encapsulated IP67 			<ul style="list-style-type: none"> Polycarbonate base, translucent polycarbonate dome. Electronics fully encapsulated IP67 	



WARNING:

- Do not use this device for personnel protection
- Using this device for personnel protection could result in serious injury or death.
- This device does not include the self-checking redundant circuitry necessary to allow its use in personnel safety applications. A device failure or malfunction can cause either an energized (on) or de-energized (off) output condition.

¹

- T8L Models:** Standard QD models are listed. To order the integral 4-wire cable model, omit the suffix QP. For example, T8LGXXP.
- K30FL Models:** Standard 4-pin M12/Euro-style integral QD connector models are listed. For 2 m (6.5 ft) integral 4-wire cable model, omit suffix Q. For example K30LGRXP. For 150 mm (6 inch) PVC cable with 4-pin M12/Euro-style connector, replace suffix Q with QP. For example, K30LGRXPQP. For terminal model, replace suffix Q with T. For example, K30LGRXP.
- K80L Models:** Standard 4-pin Euro integral QD connector models are listed. To order the terminal-wired model, omit suffix Q. For example, K80LGXXP.
- Other Models:** Standard 4-pin M12/Euro-style integral QD connector models are listed. To order the 2 m (6.5 ft) integral 4-wire cable model, omit suffix Q. For example, M18GXXP. To order the 150 mm (6 inch) PVC cable with 4-pin M12/Euro-style connector, replace suffix Q with QP. For example, M18GXXPQP.
- Models with a quick disconnect require a mating cordset.

² Contact Banner Engineering for other colors and color combinations.



Specifications

Supply Voltage and Current

T8L models: 10 V dc to 30 V dc at 20 mA maximum
T18, M18, and K30L models: 10 V dc to 30 V dc at 25 mA maximum per LED color
T30 models: 10 V dc to 30 V dc at 40 mA maximum per LED color
K50L, K50FL, and K80L models: 18 V dc to 30 V dc at 40 mA maximum per LED color

Indicators

Entire translucent diffuser or dome provides indication. Green and yellow, when connected to discrete output of 3-wire or 4-wire sensors. For other colors, contact factory for availability.

Input Response Time

Indicator ON/OFF: 1 ms max.

Environmental Rating

Rated IEC IP67. T8L not encapsulated; K80L has encapsulated electronics only; other models fully encapsulated.
 K30L, K50L, and K50FL QD models meet IP69K, per DIN 40050-9. Cabled models also meet IP69K if the cable and cable entrance are protected from high-pressure spray.

Operating Conditions

Temperature: -40 °C to +50 °C (-40 °F to +122 °F)

Certifications



K30L and K50L models only: US LISTED

Connections

T8L models: 4-pin M12/Euro-style 150 mm (6 in) PVC cable with QD (QP) or 4-wire, 2 m (6.5 ft) integral cable, depending on model
K30L models: 4-pin M12/Euro-style QD (Q), 150mm (6") PVC cable with QD (QP), 4-wire, 2 m (6.5 ft) integral cable, or 5 color-coded screw terminal for up to 16 AWG wire, depending on model. Screw terminal max torque: 0.11N-m (1.0lbf-in).
K80L models: 4-pin M12/Euro-style integral QD (Q) standard; terminal-wired models available for use with bulk cable; compression fitting optional. Contact Factory for cable information.
Other models: 4-pin /M12/Euro-style integral QD (Q), 150 mm (6 in) PVC cable with QD (QP), or 4-wire, 2 m (6.5 ft) integral cable, depending on model

Construction

See Models lists

Required Overcurrent Protection

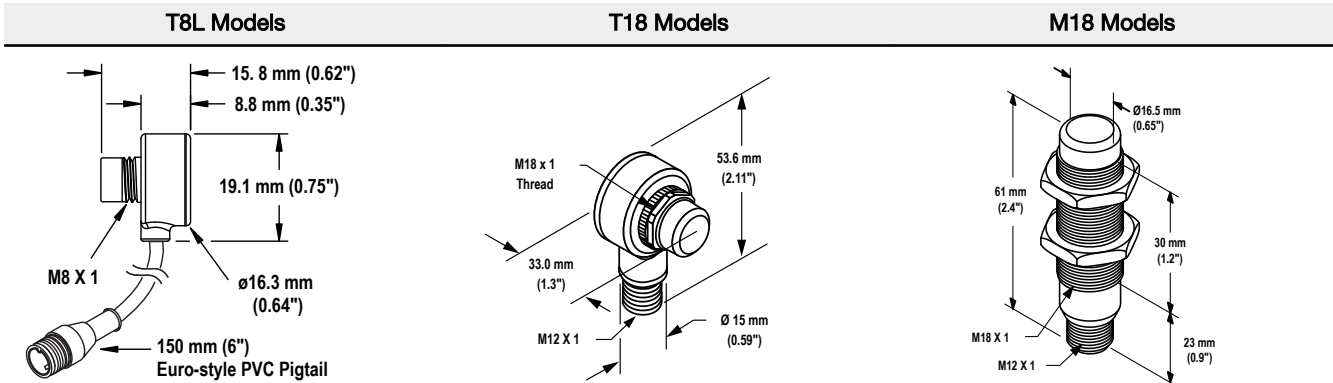


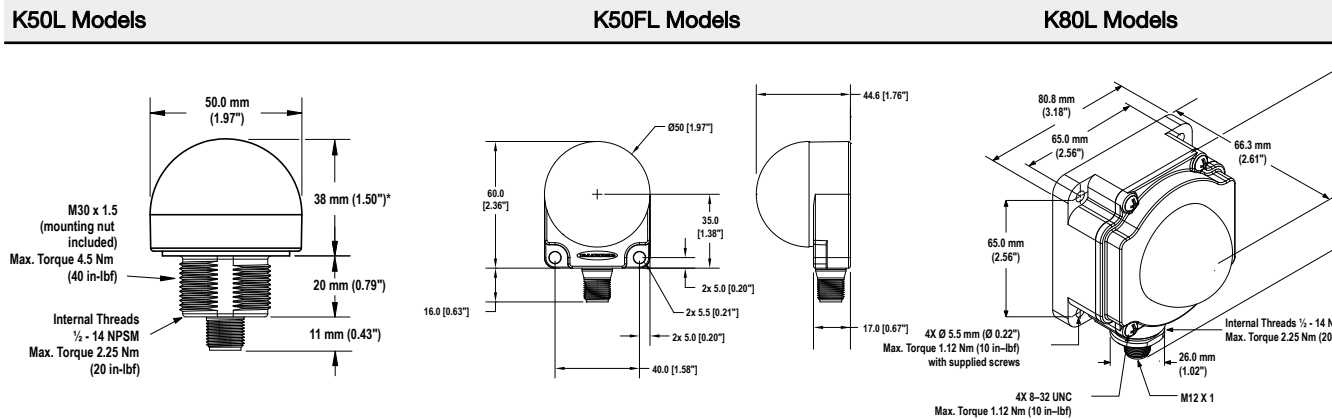
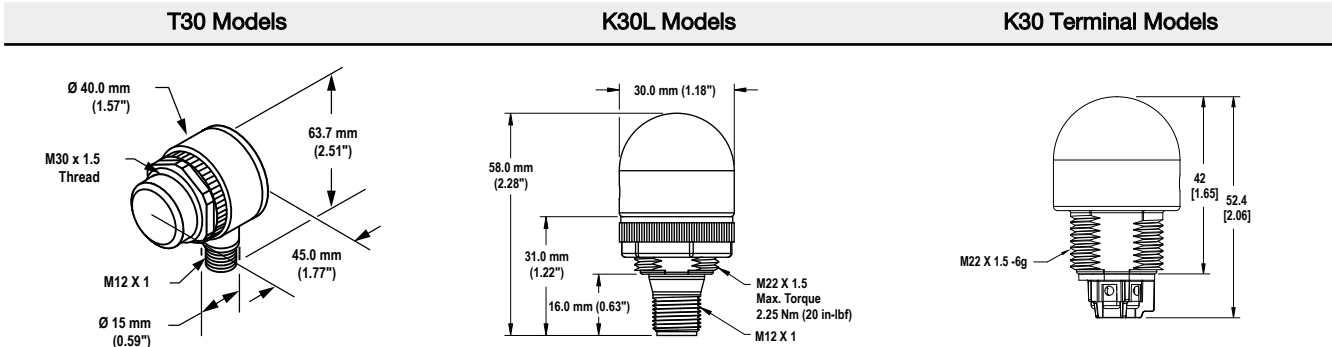
WARNING: Electrical connections must be made by qualified personnel in accordance with local and national electrical codes and regulations.

Overcurrent protection is required to be provided by end product application per the supplied table.
 Overcurrent protection may be provided with external fusing or via Current Limiting, Class 2 Power Supply.
 Supply wiring leads < 24 AWG shall not be spliced.
 For additional product support, go to www.bannerengineering.com.

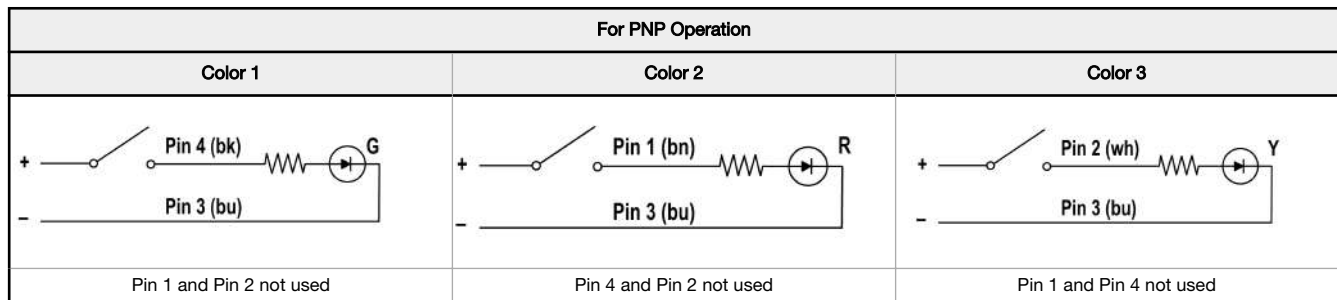
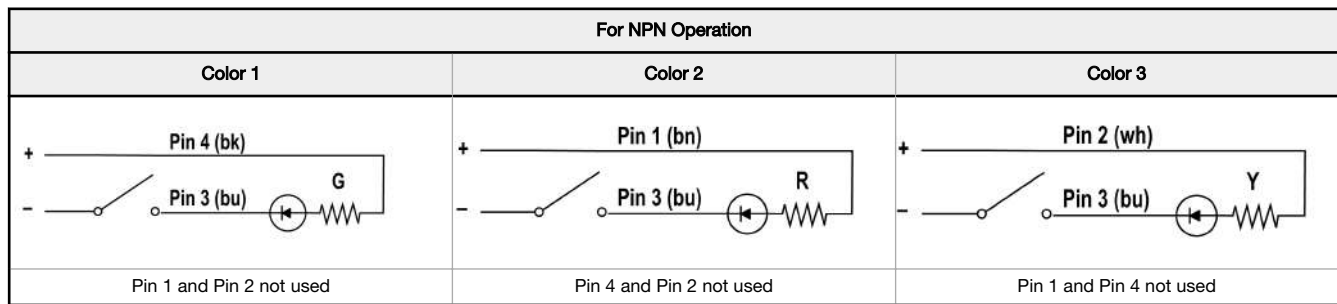
Supply Wiring (AWG)	Required Overcurrent Protection (Amps)
20	5.0
22	3.0
24	2.0
26	1.0
28	0.8
30	0.5

Dimensions





Wiring



Wiring Key

- | | |
|---------------|---------------|
| 1. Brown (bn) | 3. Blue (bu) |
| 2. White (wh) | 4. Black (bk) |

Accessories

4-Pin Threaded M12/Euro-Style Cordsets—Single Ended				
Model	Length	Style	Dimensions	Pinout (Female)
MQDC-406	1.83 m (6 ft)	Straight		<p>1 = Brown 2 = White 3 = Blue 4 = Black</p>
MQDC-415	4.57 m (15 ft)			
MQDC-430	9.14 m (30 ft)			
MQDC-450	15.2 m (50 ft)			
MQDC-406RA	1.83 m (6 ft)	Right-Angle		
MQDC-415RA	4.57 m (15 ft)			
MQDC-430RA	9.14 m (30 ft)			
MQDC-450RA	15.2 m (50 ft)			

Brackets

For use with T8L models:
SMB8MM

For use with M18 and T18
models or base-mount T30
models:

- SMB18A
- SMB1815SF
- SMB18Q
- SMB18SF
- SMB312PD
- SMBAMS18RA
- SMBAMS18P

For use with T30 models or
base-mount K50L models:

- SMB30A
- SMBAMS30RA
- SMBAMS30P
- SMB30SC
- SMB30MM
- SMB3018SC

DIN-mount bracket for K80L
models:

SMBDX80D

For more information about these and other available brackets, visit www.bannerengineering.com. K50FL models include a 48 mm (1.9") circular hook-and-loop mounting kit for easy mounting with no additional hardware required.

Banner Engineering Corp. Limited Warranty

Banner Engineering Corp. warrants its products to be free from defects in material and workmanship for one year following the date of shipment. Banner Engineering Corp. will repair or replace, free of charge, any product of its manufacture which, at the time it is returned to the factory, is found to have been defective during the warranty period. This warranty does not cover damage or liability for misuse, abuse, or the improper application or installation of the Banner product.

THIS LIMITED WARRANTY IS EXCLUSIVE AND IN LIEU OF ALL OTHER WARRANTIES WHETHER EXPRESS OR IMPLIED (INCLUDING, WITHOUT LIMITATION, ANY WARRANTY OF MERCHANTABILITY OR FITNESS FOR A PARTICULAR PURPOSE), AND WHETHER ARISING UNDER COURSE OF PERFORMANCE, COURSE OF DEALING OR TRADE USAGE.

This Warranty is exclusive and limited to repair or, at the discretion of Banner Engineering Corp., replacement. **IN NO EVENT SHALL BANNER ENGINEERING CORP. BE LIABLE TO BUYER OR ANY OTHER PERSON OR ENTITY FOR ANY EXTRA COSTS, EXPENSES, LOSSES, LOSS OF PROFITS, OR ANY INCIDENTAL, CONSEQUENTIAL OR SPECIAL DAMAGES RESULTING FROM ANY PRODUCT DEFECT OR FROM THE USE OR INABILITY TO USE THE PRODUCT, WHETHER ARISING IN CONTRACT OR WARRANTY, STATUTE, TORT, STRICT LIABILITY, NEGLIGENCE, OR OTHERWISE.**

Banner Engineering Corp. reserves the right to change, modify or improve the design of the product without assuming any obligations or liabilities relating to any product previously manufactured by Banner Engineering Corp. Any misuse, abuse, or improper application or installation of this product or use of the product for personal protection applications when the product is identified as not intended for such purposes will void the product warranty. Any modifications to this product without prior express approval by Banner Engineering Corp will void the product warranties. All specifications published in this document are subject to change; Banner reserves the right to modify product specifications or update documentation at any time. Specifications and product information in English supersede that which is provided in any other language. For the most recent version of any documentation, refer to: www.bannerengineering.com.

For patent information, see www.bannerengineering.com/patents.