

Piranha HS HS-82-04Kx0

High Sensitivity Line Scan Cameras



Piranha HS HS-82-04Kx0

Key Features

- (110 kHz line rate)
- 4096 pixels x 48 TDI stages
- 320 / 640 megapixels/second
- Responsivity up to 2300 DN/(nJ/cm²)
- 15 second calibration time
- Bidirectional
- Antiblooming
- Configurable Medium or Full Camera Link

Programmability

- Stage selectability up to 48 stages
- Selectable area mode of operation for ease of alignment
- Up to four sets of flat field correction coefficients
- Mirroring and forward/reverse control
- Flat field corrections

Typical Applications

- Flat panel display inspection
- Postal sorting (flats)
- High performance document scanning
- Low light applications
- Large web applications
- High speed scanning

Overview

4k resolution, 50X greater responsivity than traditional line scan cameras (110 kHz line rate)

The Piranha HS camera family represents DALSA's latest generation of high sensitivity, TDI based cameras. With a maximum line rate of 110 kHz and throughput up to 640 MHz, the Piranha HS HS-82-04Kx0 provides the fastest speed available in a TDI camera. Camera alignment is also made easier with the selectable area mode of operation.

Camera configuration is extremely flexible and the number of Camera Link taps, throughput, and line rate are all software controllable.

The camera is capable of bidirectionality with up to 48 stages of selectability, while preventing overexposure with antiblooming.

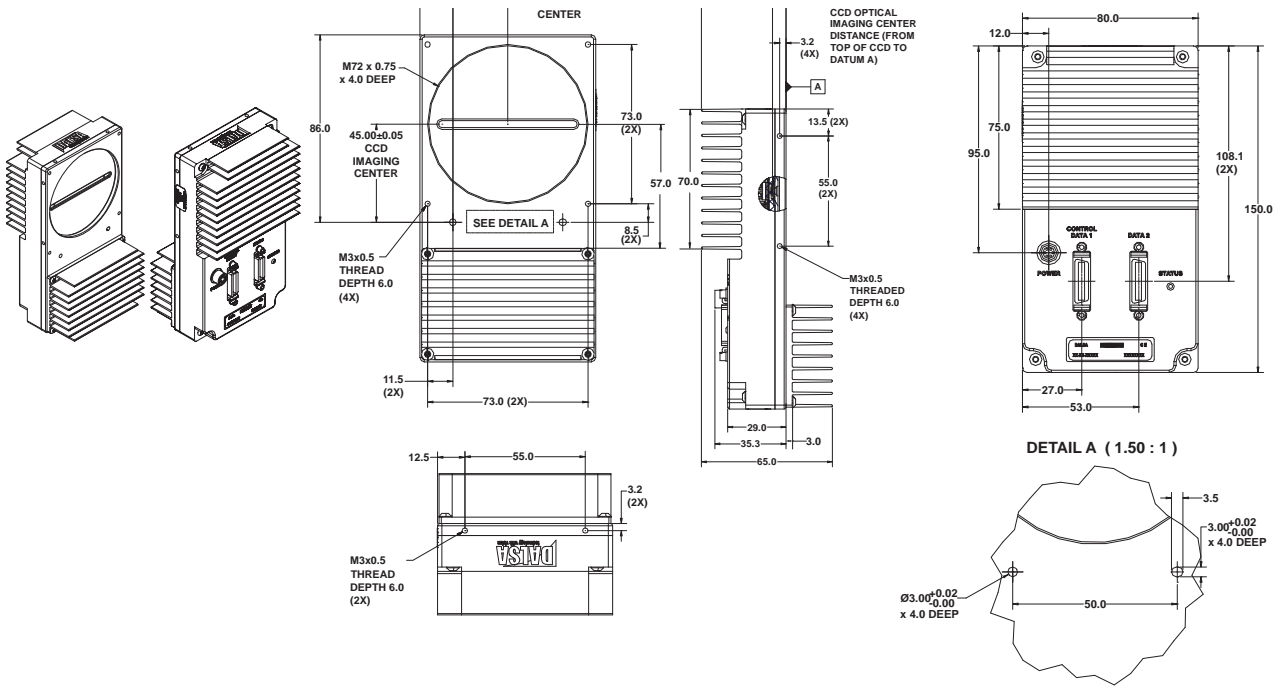
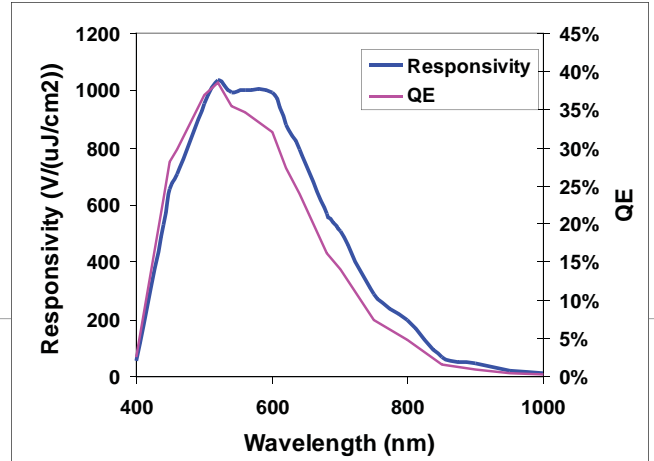
Specifications

Resolution	4096 x 48 TDI
Data Rate	320 / 640 megapixels/second
Max. Line/Frame Rate	110 kHz
Pixel Size	14 μ m
Data Format	8, 12 bit
Output	Med, Full Camera Link
Lens Mount	M72 x 0.75
Responsivity	2300 DN/(nJ/cm ²)broadband,8 bit,10 dB
Dynamic Range	56 dB
Nominal Gain Range	\pm 10 dB
Size	150 mm x 80 mm x 65 mm
Mass	<800 g
Operating Temp	0 °C to 50 °C
Power Supply	12 V to 15 V
Power Dissipation	<20 W
Regulatory Compliance	RoHS and CE (pending)
Control	MDR26 Camera Link
Data	Shared with Control
Power	Hirose HR10 6 pin
Example Part Number	HS-82-04Kx0

Piranha HS HS-82-04Kx0

High Sensitivity Line Scan Cameras

These High Sensitivity Line Scan cameras use TDI technology to maximize photon capture at these high line rates. With a line rate of 110 KHz and 4k resolution, these cameras inspect and detect with unrivalled precision and speed.



unit: mm

www.dalsa.com

Americas
 Boston, USA
 Tel: +1 978-670-2000
 sales.americas@dalsa.com

Europe
 Munich, Germany
 Tel: +49 8142-46770
 sales.europe@dalsa.com

Asia Pacific
 Tokyo, Japan
 +81 3-5960-6353
 sales.asia@dalsa.com

DALSA is an international leader in digital imaging and semiconductors and has its corporate offices in Waterloo, Ontario, Canada.

All trademarks are registered by their respective companies. DALSA reserves the right to make changes at any time without notice. © DALSA 2008.

