

SALE PRICE!! - \$21.84 - IN STOCK



MFD NPT Digital Gauges



SPECIFICATIONS

TYPE		DG - □
Rated pressure range		0-145 PSI
Display pressure range		0-145 PSI
Withstand pressure		215 PSI
Applicable fluid		Filtered air, incombustible and non-corrosive gases
Pressure resolution	MPa	0.001
	kgf/cm ²	0.01
	bar	0.01
	psi	0.1
Battery		CR 2032 lithium
Back light		No
Battery life		3 years (5 times/day)
Low-power indicator		Yes
Battery replaceable		Yes
Turn-on interval		Display turns off after 30 sec.
Sampling rate		2 Hz (2 times/sec.)
Pressure unit		psi, bar, kfg/cm ² and MPa user selectable
Repeatability		≤ ±0.2% F.S. ±1 digit
LCD Display		3 1/2 digit, 7 segment
Indicator accuracy		≤ ±2% F.S. ±1 digit (ambient temperature: 25 ±3 °C)
Environment	Enclosure	IP65*
	Ambient temp. range	Operation: 0 ~ 50 °C, storage -10 ~ 60 °C (No condensation or freezing)
	Ambient humidity range	Operation/Storage: 35 ~ 85% RH (No condensation)
	Vibration	Total amplitude, 1.5mm or 10G, 10Hz-55Hz-10Hz scan for 1 minute, two hours each direction of X, Y and Z
Shock		100m/s ² (10G), 3 times each in direction of X, Y and Z
Temperature characteristic		≤ ±2% F.S. of detected pressure (25 °C) at temp. range of 0 ~ 50 °C
Port size		06: 1/8" NPT, 10-32 UNF 08: 1/4" NPT, 10-32 UNF
Weight		Approx. 40g

HOW TO ORDER

D G -

Pressure Port

06 : 1/8" NPT, 10-32 UNF
08 : 1/4" NPT, 10-32 UNF

PANEL DESCRIPTION

Pressure Unit
Display Section

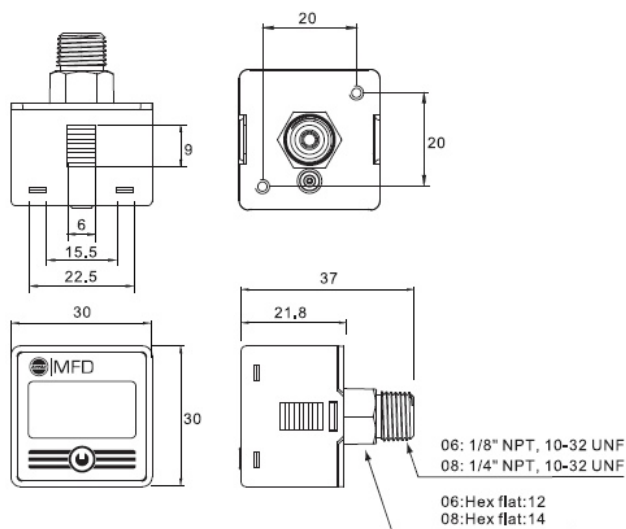
Battery Meter

Pressure Display

Setting Button



DIMENSIONS



Unit:mm

JHF John
Henry
Foster

800.582.5162
jhfooster.com

We Make Things Move®

MFD-RG-214

To learn more about this product, scan this QR code with your mobile device.

